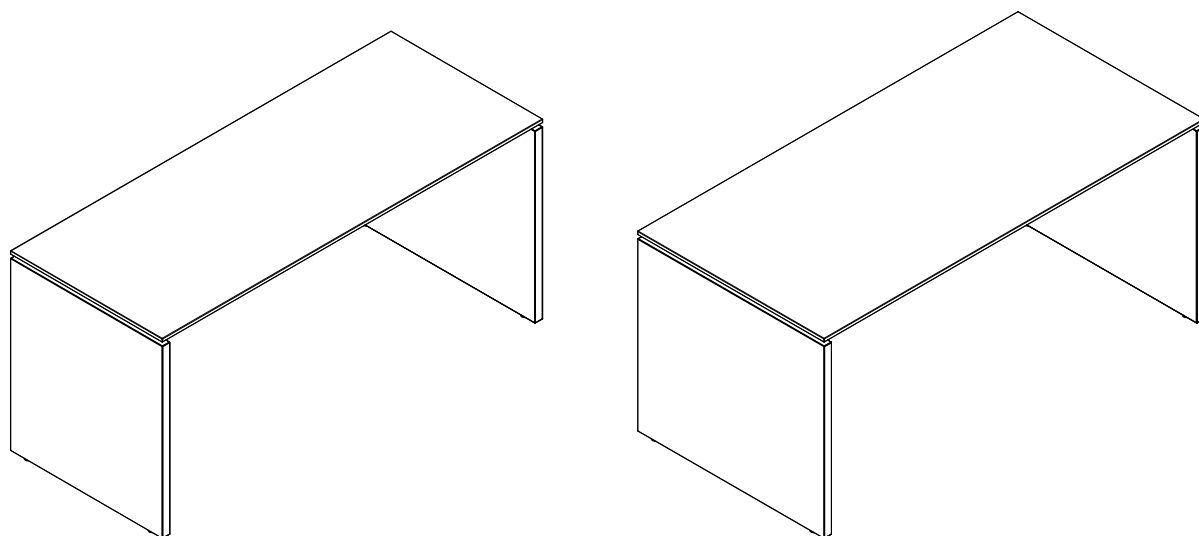


# HO 200



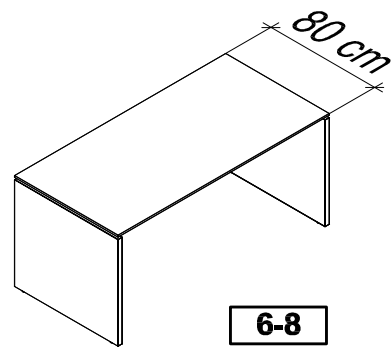
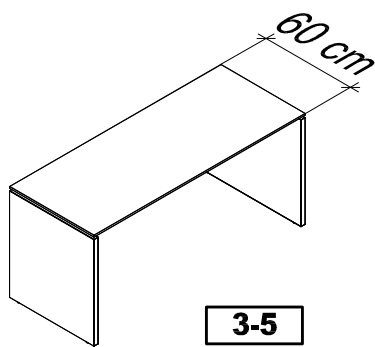
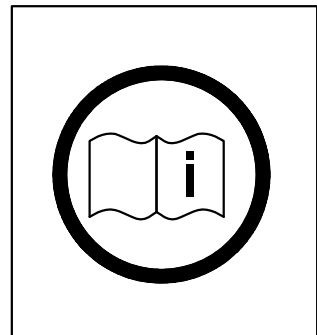
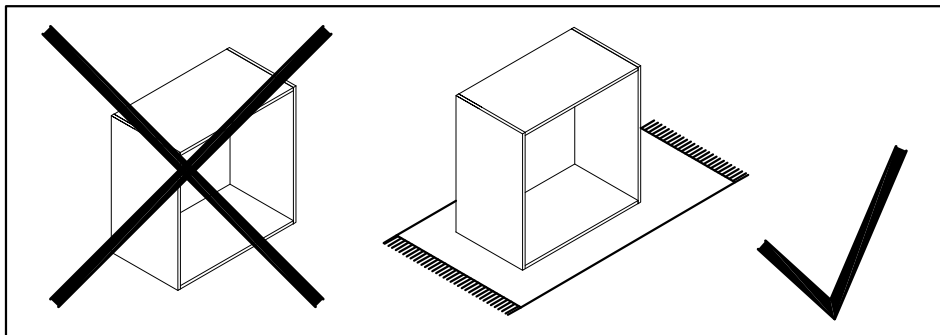
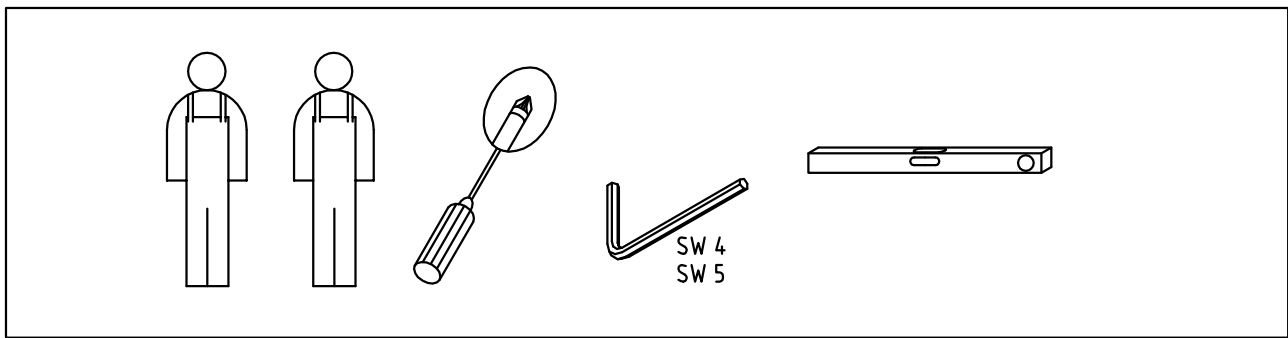
**hülsta** 



1843479

hülsta-werke · Karl-Hüls-Straße 1 · 48703 Stadthorn  
TEL +49 2563 86-0 · FAX +49 2563 86-1417  
[www.huelsta.com](http://www.huelsta.com) · 10 / 2021



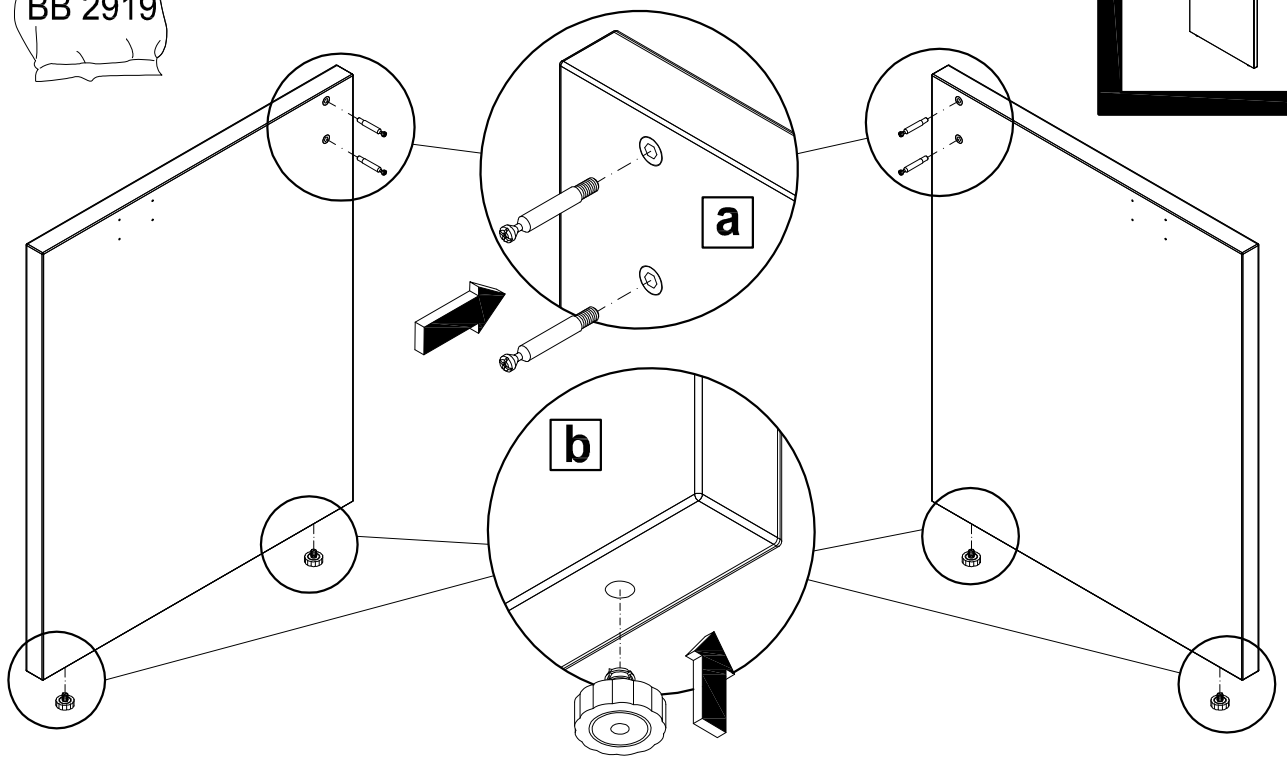
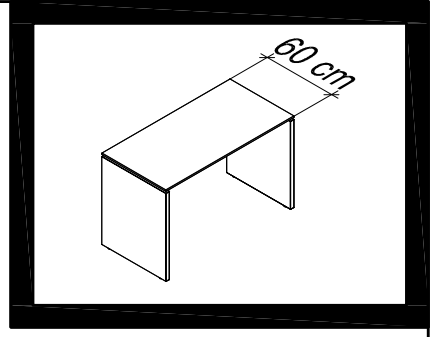


|              |  |              |  |
|--------------|--|--------------|--|
| BB 2919      |  | Mat. 1843488 |  |
| 4x           |  |              |  |
| 5x           |  | M6x110       |  |
| 5x           |  |              |  |
| 4x           |  |              |  |
| 4x           |  |              |  |
| 4x           |  |              |  |
| NO90_L462612 |  |              |  |
| 2x           |  |              |  |
| 16x          |  | 5x25         |  |

|         |  |              |  |
|---------|--|--------------|--|
| BB 2919 |  | Mat. 1843488 |  |
| 4x      |  |              |  |
| 5x      |  | M6x110       |  |
| 5x      |  |              |  |
| 4x      |  |              |  |
| 4x      |  |              |  |
| 4x      |  |              |  |
| BB 2920 |  | Mat. 1843489 |  |
| 5x      |  | 6x12         |  |
| 5x      |  |              |  |
| BB 1974 |  | Mat. 1415889 |  |
| 4x      |  | 6x20         |  |

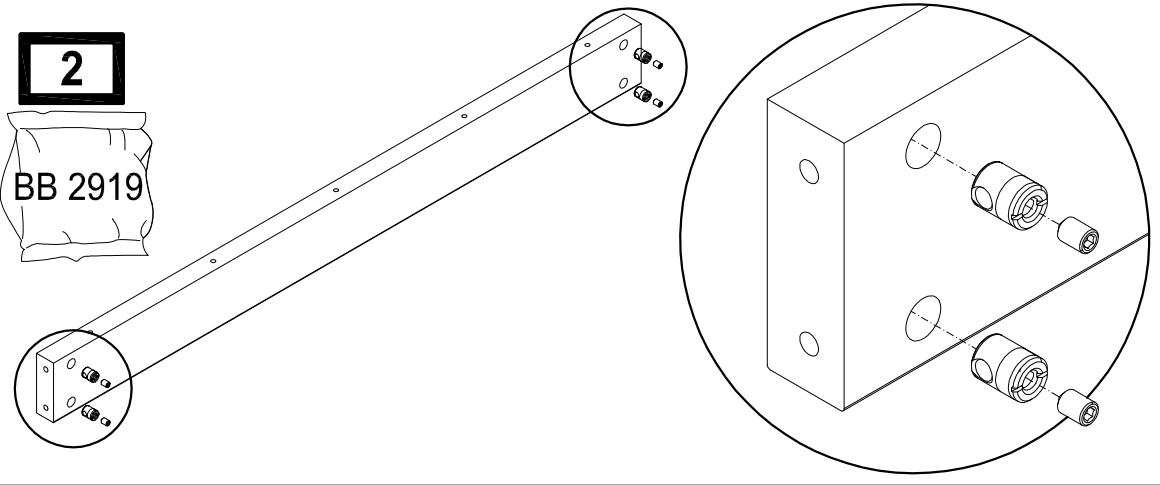
1

BB 2919



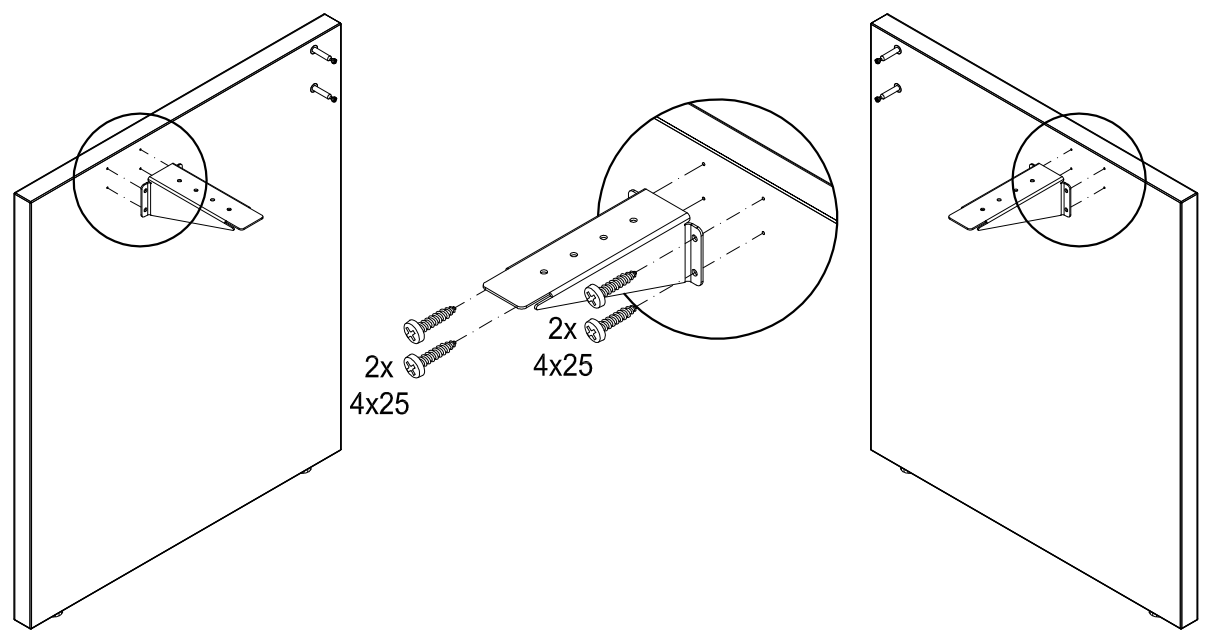
2

BB 2919

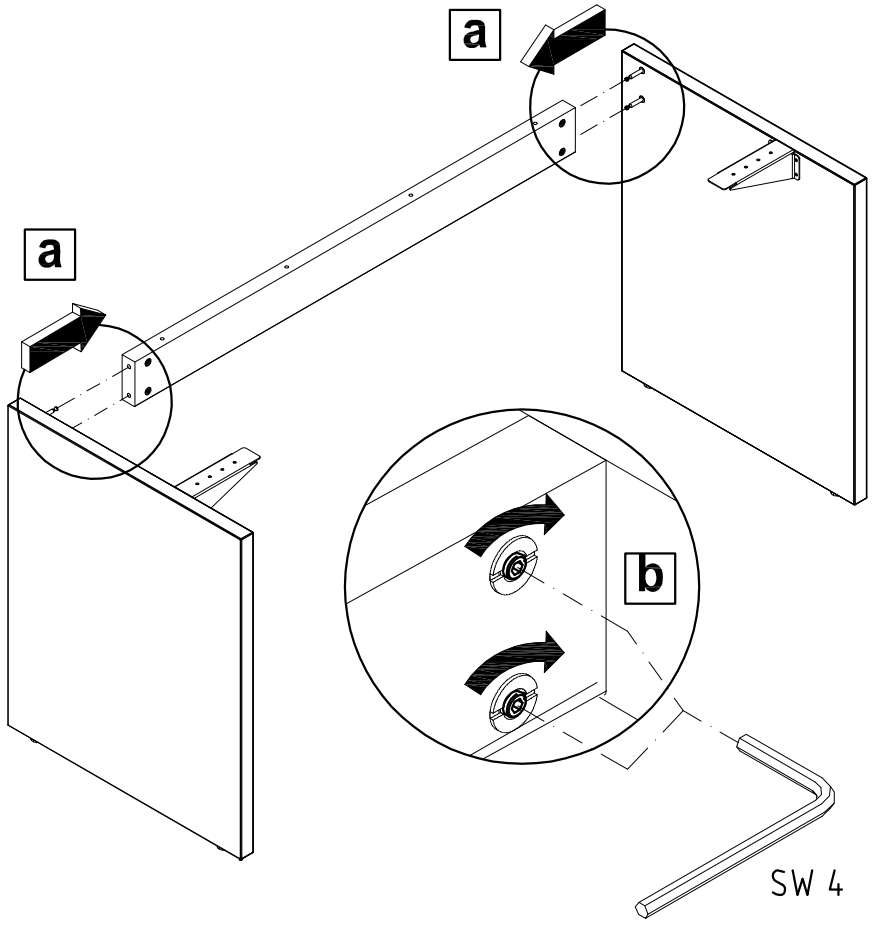


3

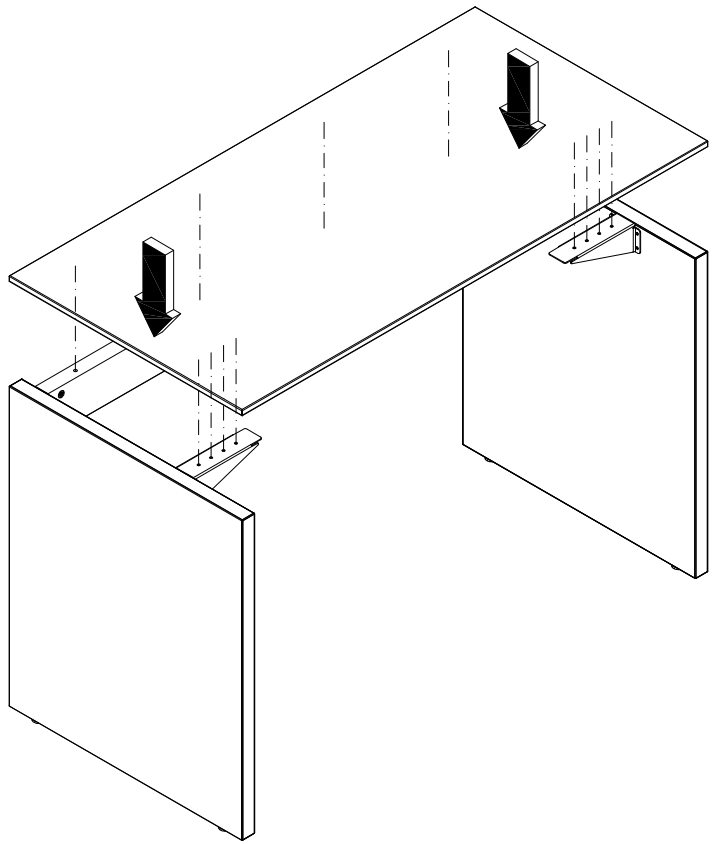
NO90  
L462612



4



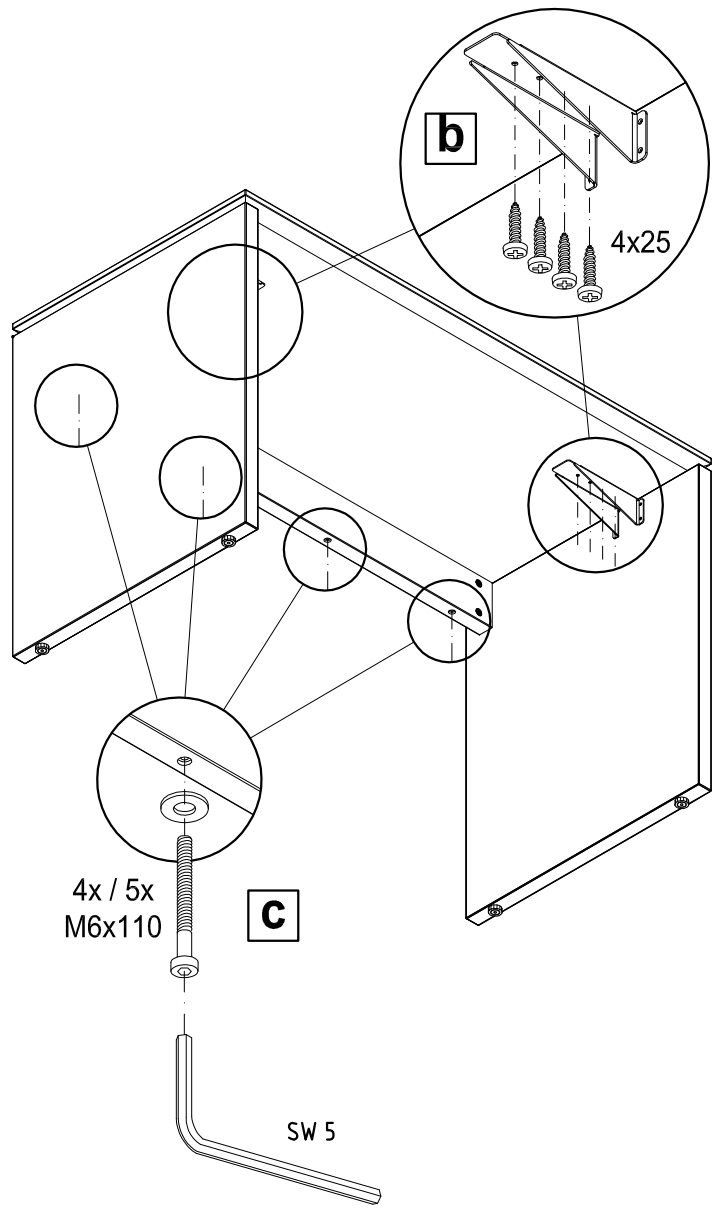
5



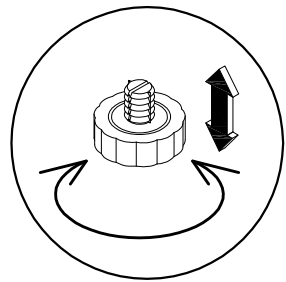
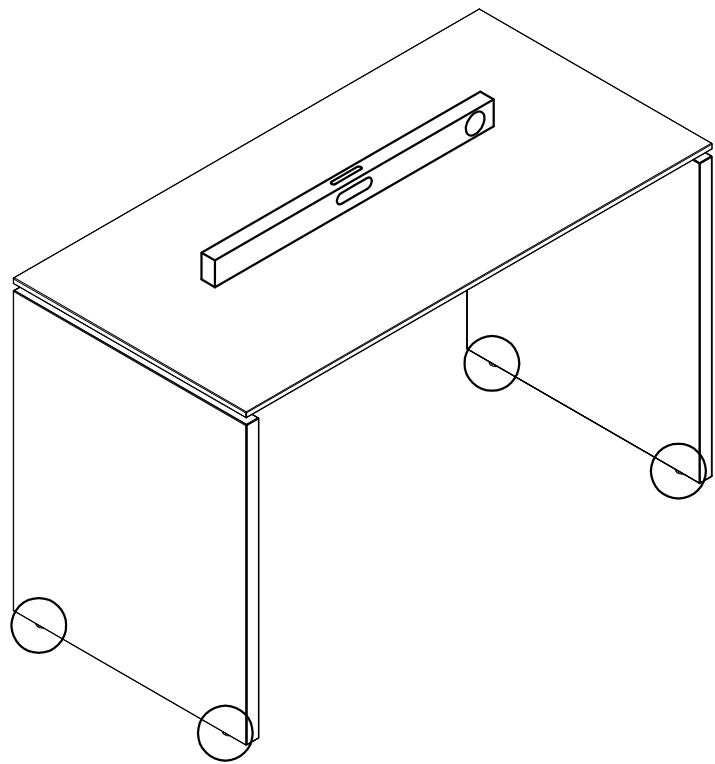
**6**

NO90  
L462612

BB 2919

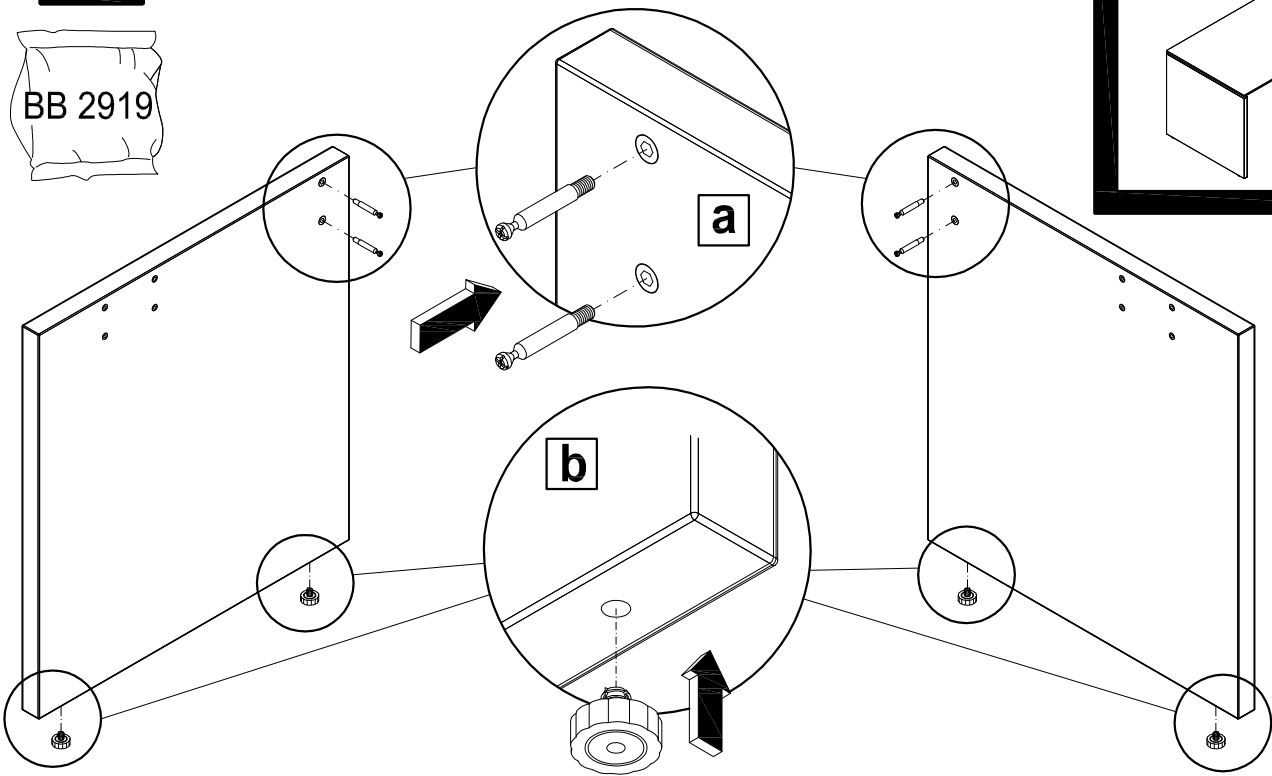


**7**



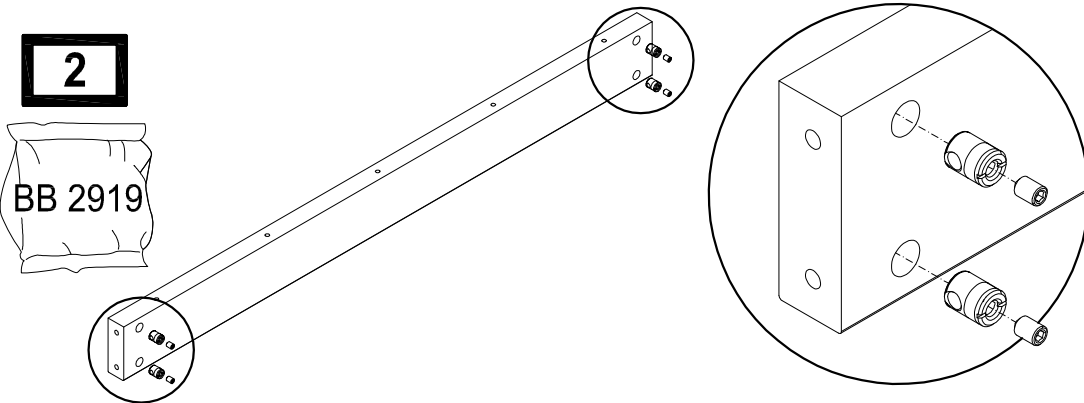
1

BB 2919



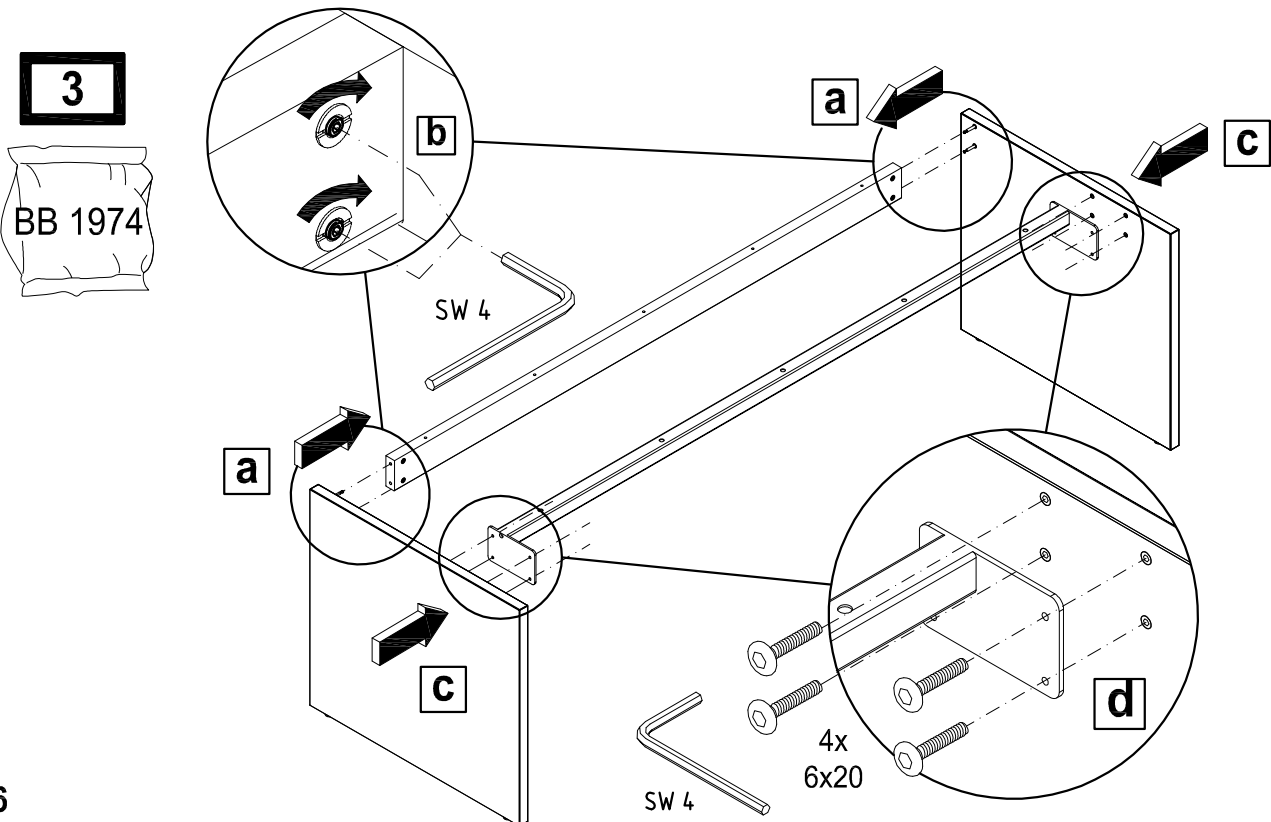
2

BB 2919

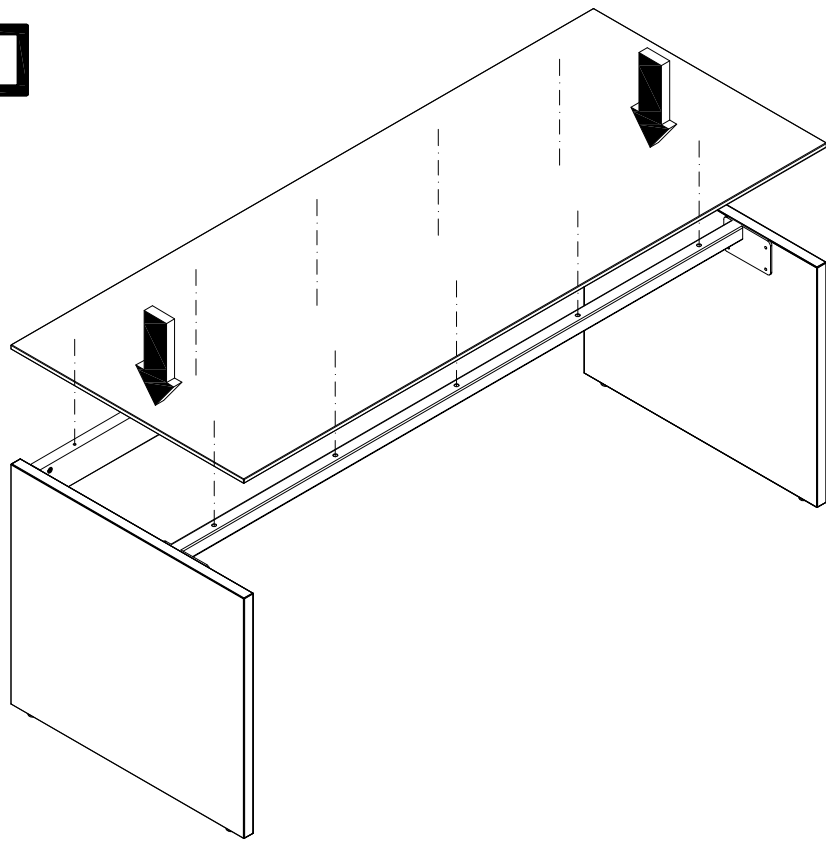


3

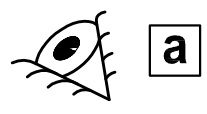
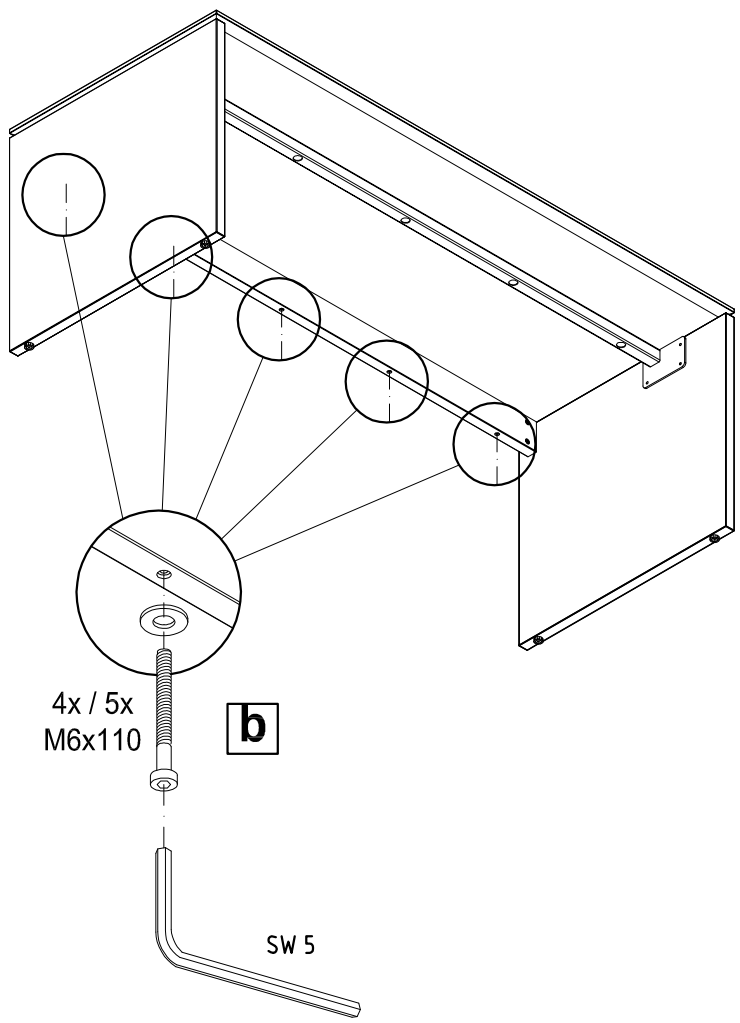
BB 1974



4



5

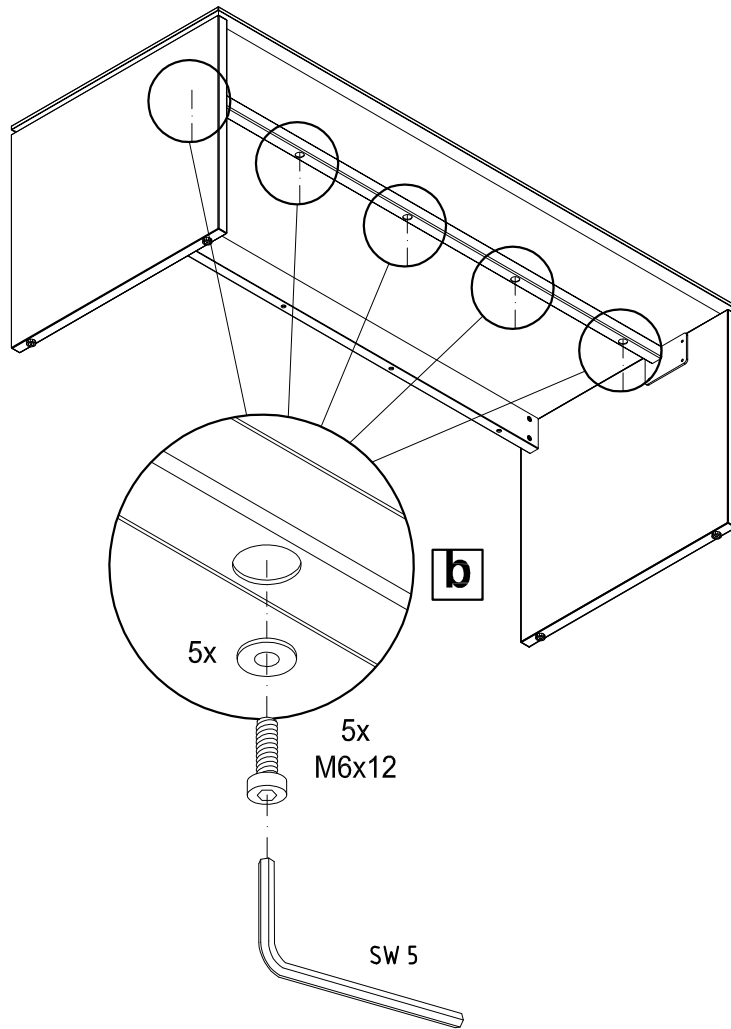


4x / 5x  
M6x110

b

SW 5

6



7

