
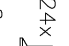


Inhalt:

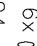
3x NOW! 01

6x NOW! 02

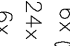
12x  12x 

24x 

8x NOW! 13


6x 


8x 

24x 

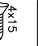
4x NOW! 06

1x NOW! 61

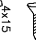
8x 

6x 


16x 

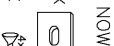
6x 


8x 

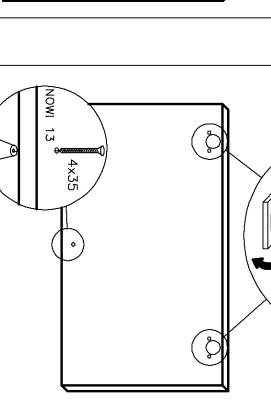
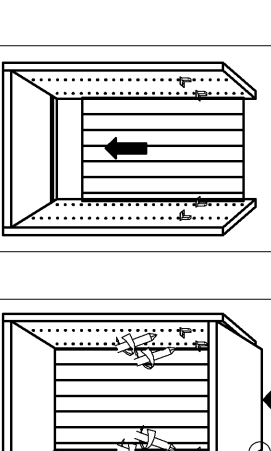
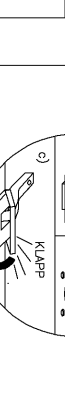
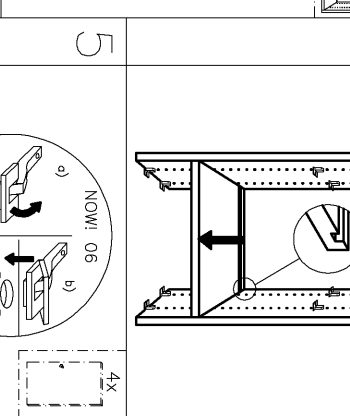
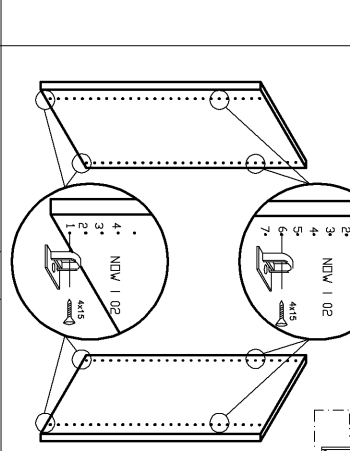
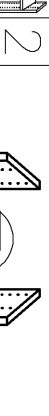
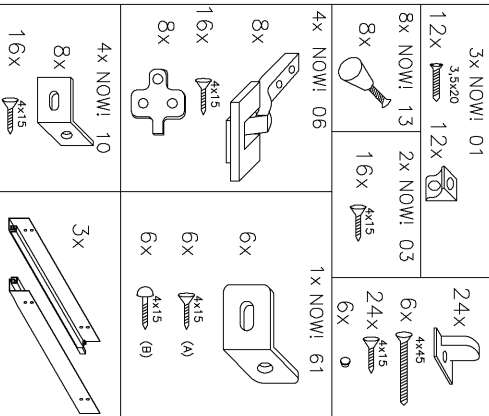
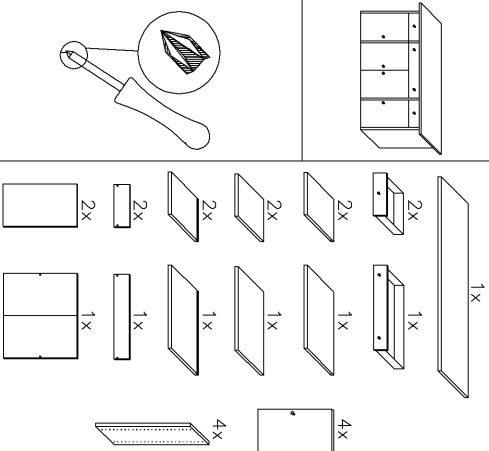
6x 

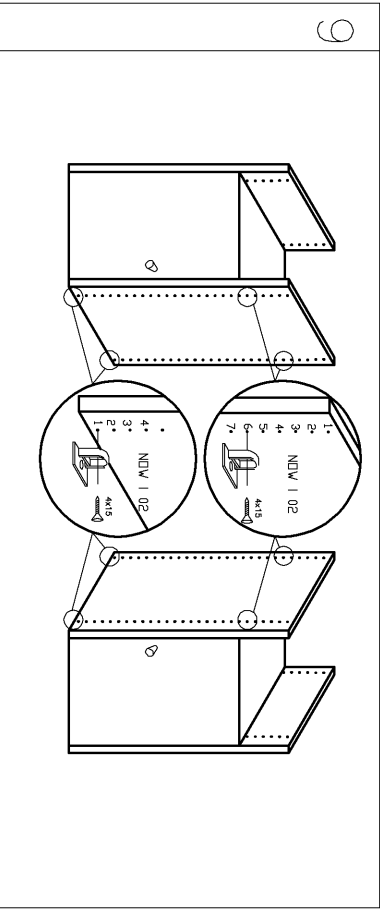
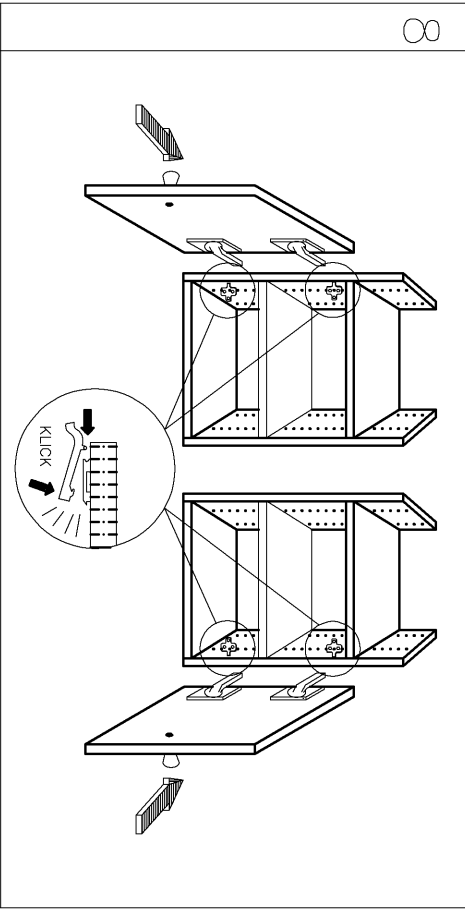
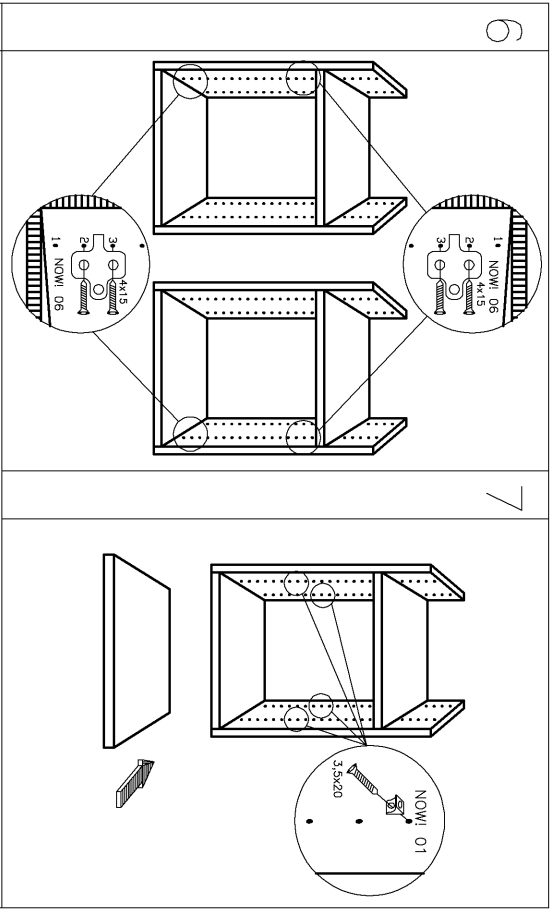
4x NOW! 10

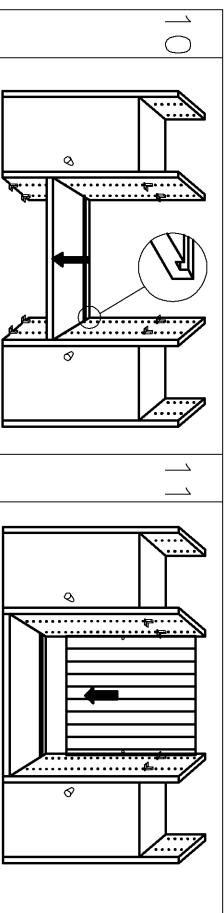
3x 

8x 

16x 

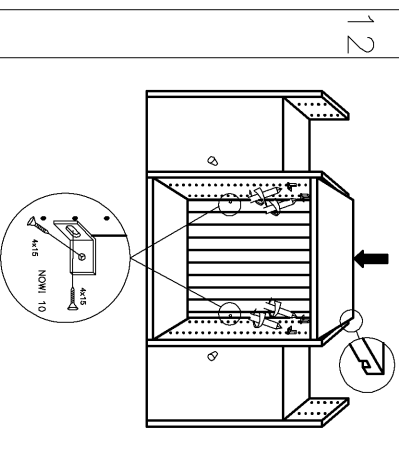
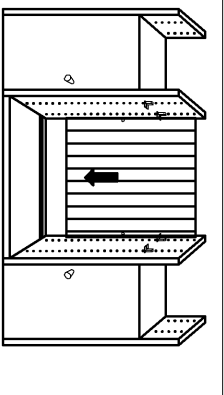






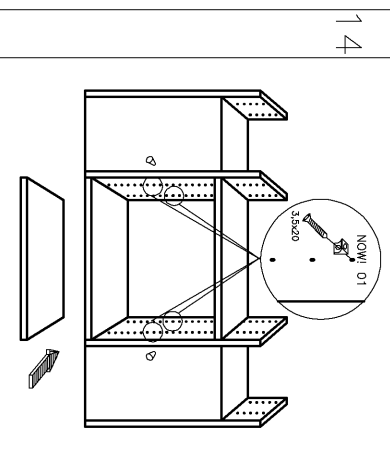
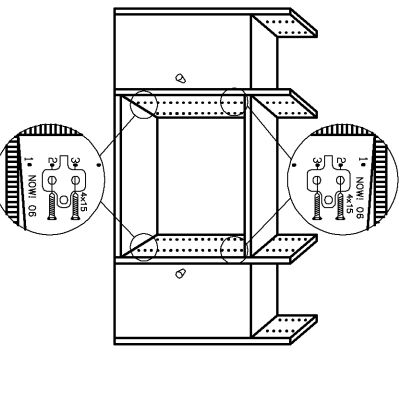
10

11



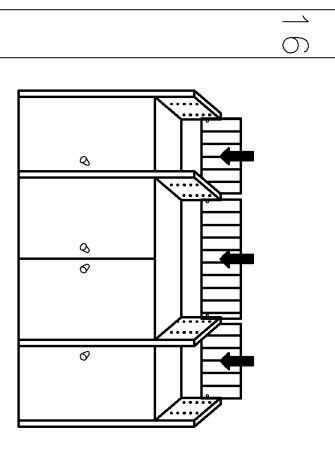
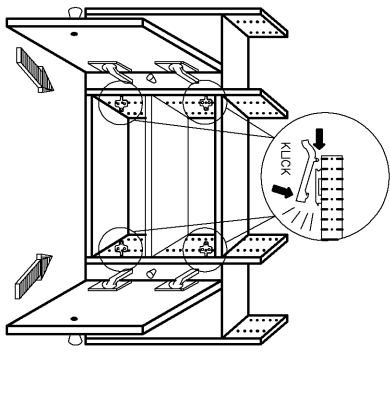
12

13



14

15



16

17

