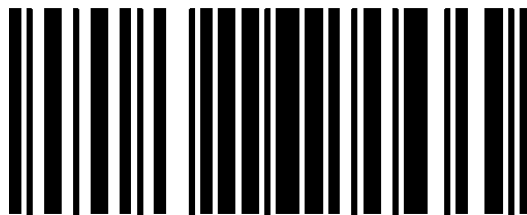
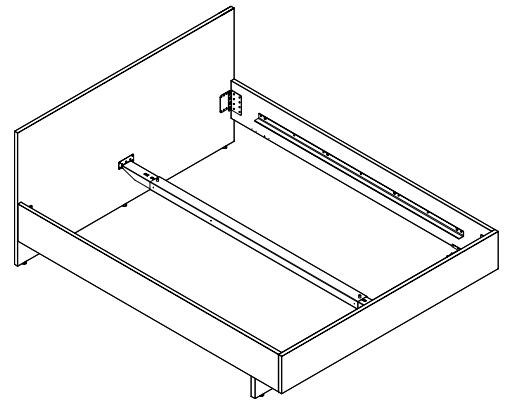
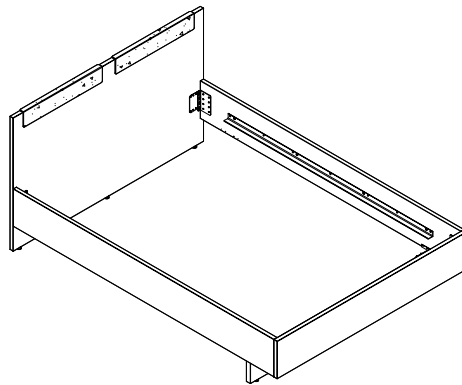
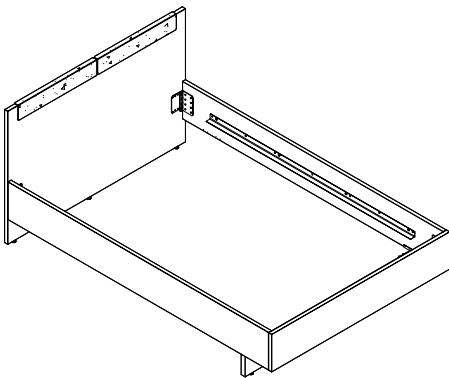
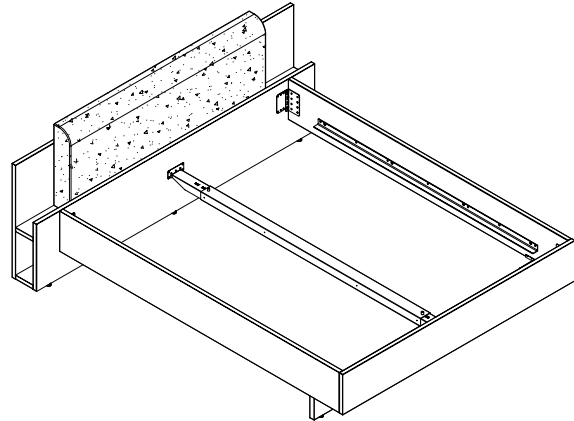
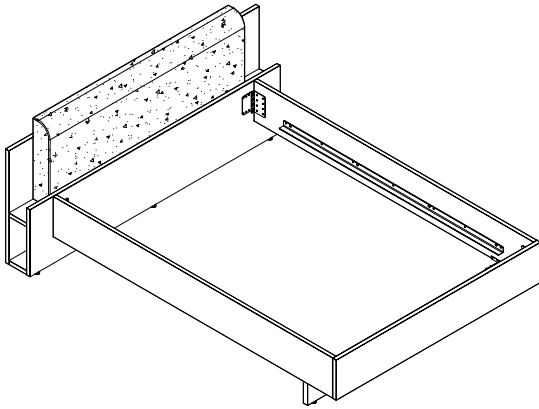


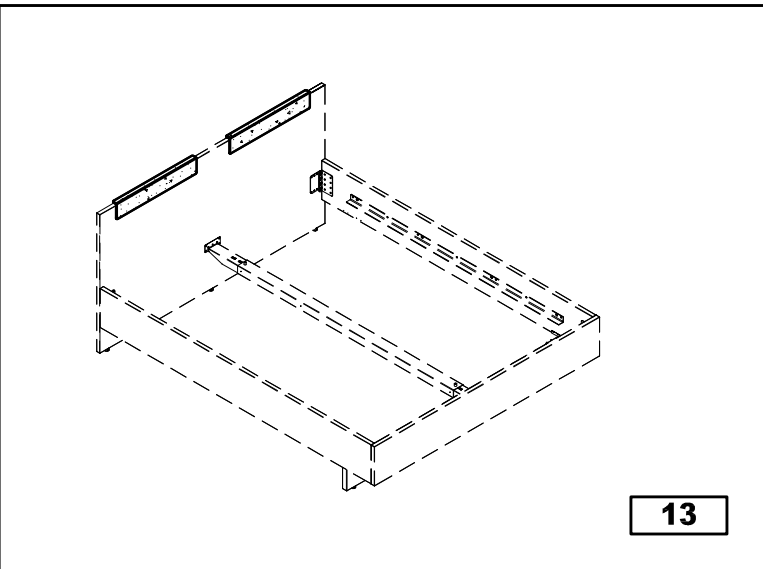
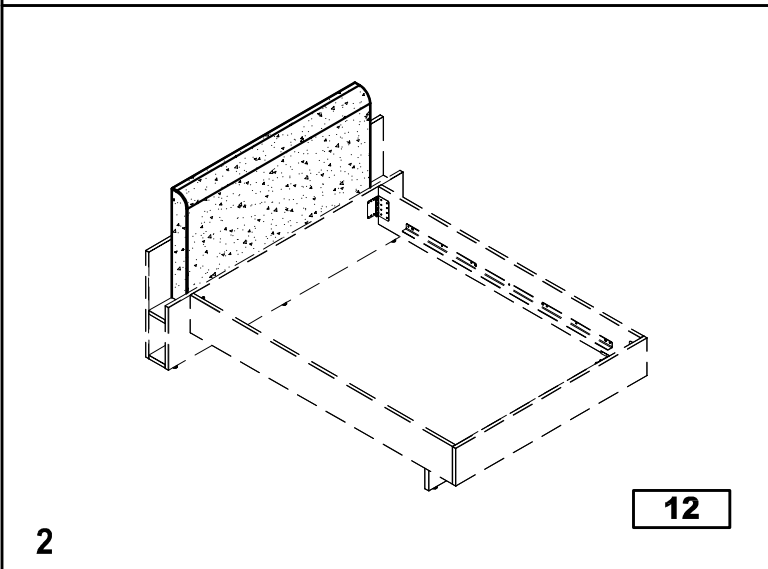
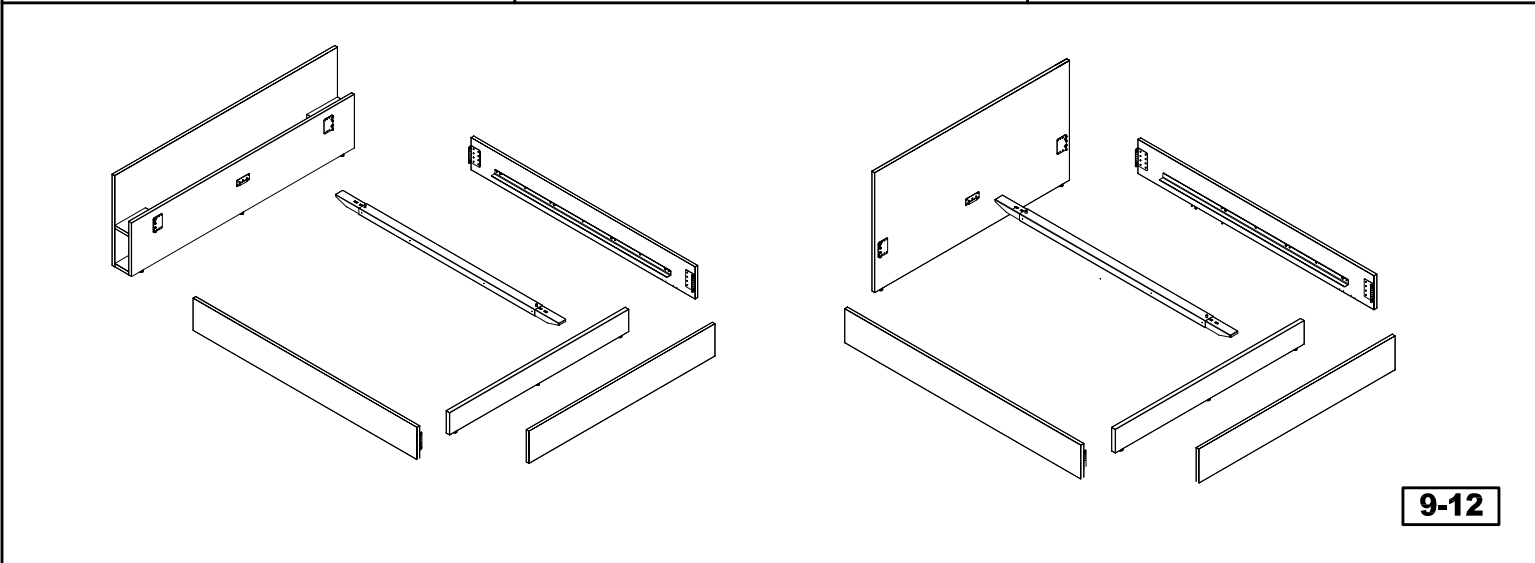
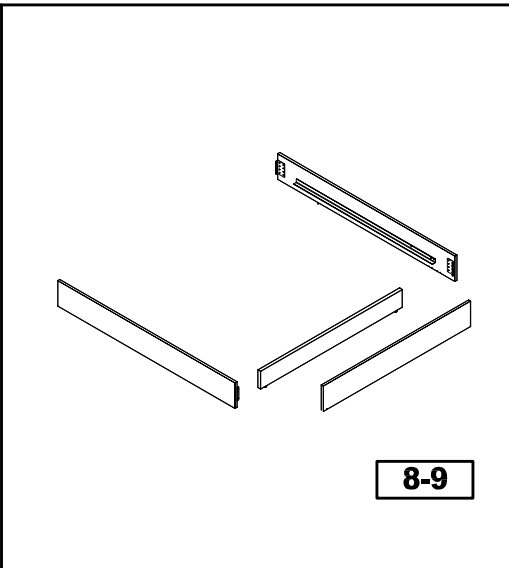
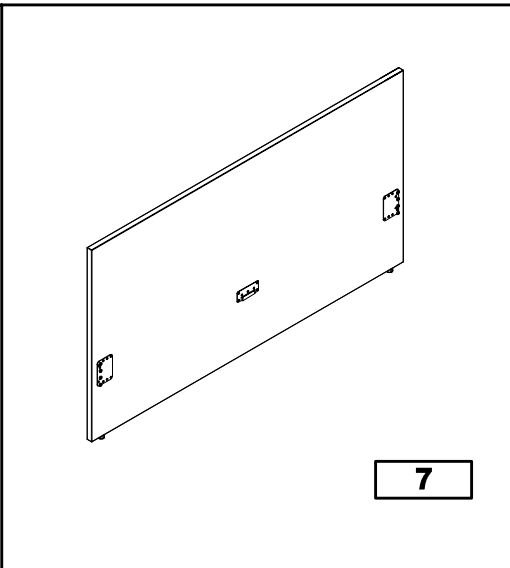
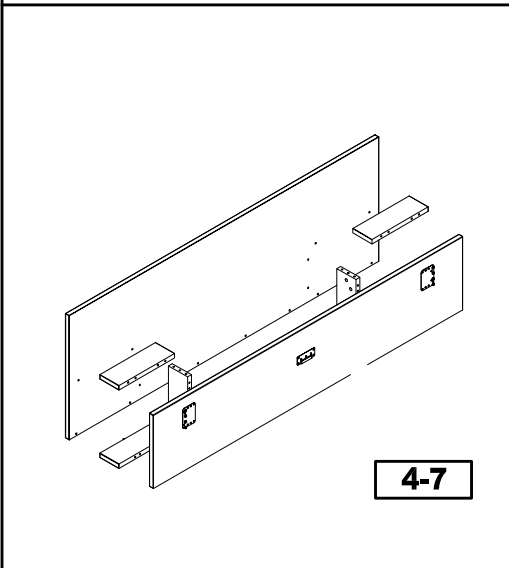
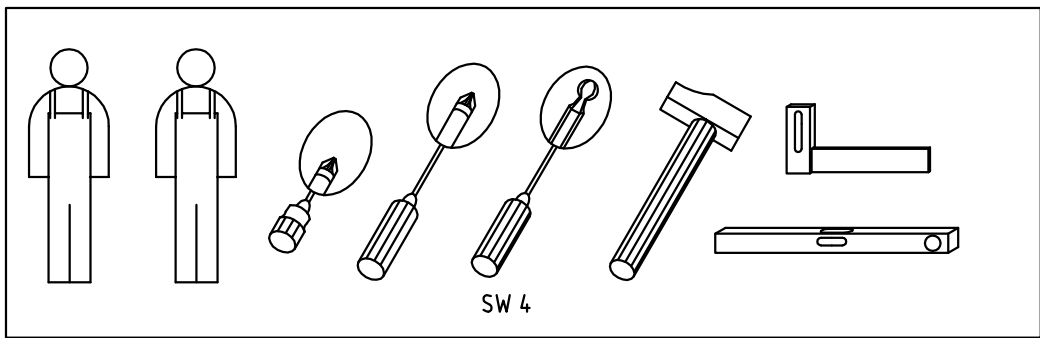
now basic

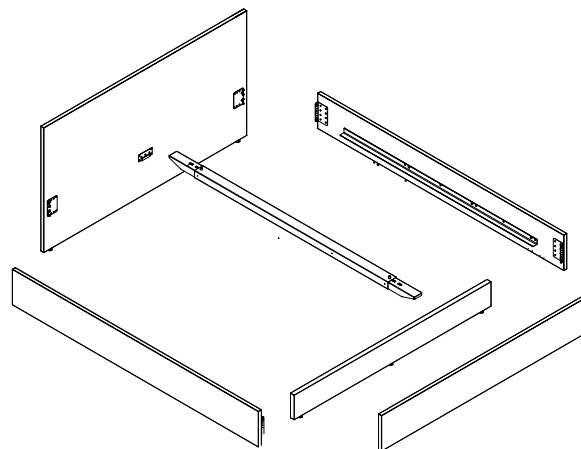
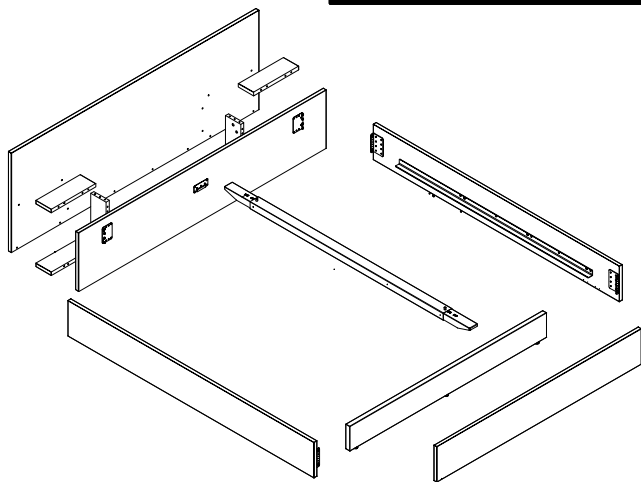
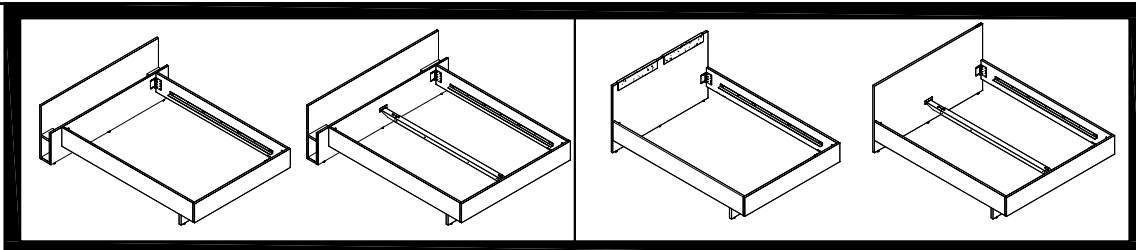
now! basic
by hülsta

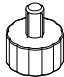


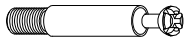
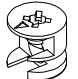


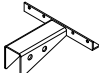








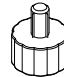


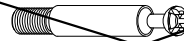



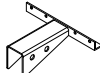






1772533

hülsta-werke · Karl-Hüls-Straße 1 · 48703 Stadlohn
TEL +49 2563 86-0 · FAX +49 2563 86-1417
www.huelsta.com 05/2018





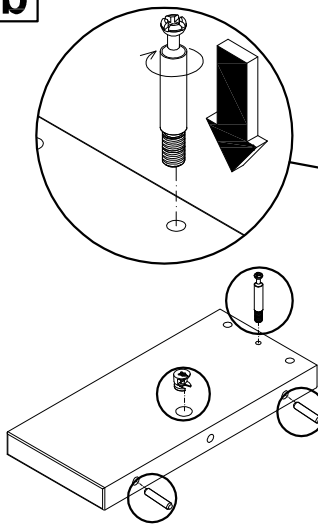
BK	Mat. 1772849		
BB 1064	Mat. 1119704		
2x			
BB 1069	Mat. 1018022		
8x		4x20	
BB 1741	Mat. 1247000		
9x		7x70	
BB 1886	Mat. 1356017		
4x		5x34	
4x		15/26 oR	
BB 2501	Mat. 1600299		
10x		8x40	
BB 2815	Mat. 1772850		
16x		6x10	
Set	Mat. 1749015		
2x		-	
4x		M8x50	
4x		M8	
8x		4x20	
2x			
4x		113x80	
4x		130x70	

BK	Mat. 1772849		
BB 1064	Mat. 1119704		
2x			
BB 1069	Mat. 1018022		
8x		4x20	
BB 1741	Mat. 1247000		
9x		7x70	
BB 1886	Mat. 1356017		
4x		5x34	
4x		15/26 oR	
BB 2501	Mat. 1600299		
10x		8x40	
BB 2815	Mat. 1772850		
16x		6x10	
Set	Mat. 1749015		
2x		-	
4x		M8x50	
4x		M8	
8x		4x20	
2x			
4x		113x80	
4x		130x70	

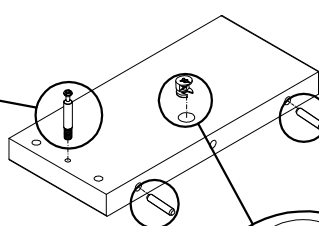


1

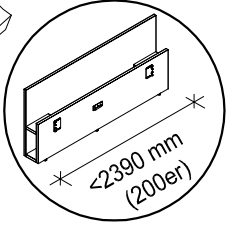
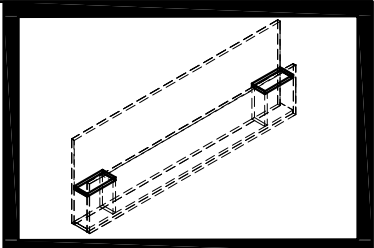
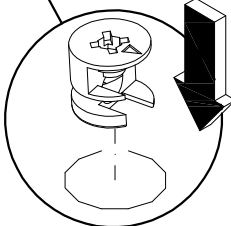
b



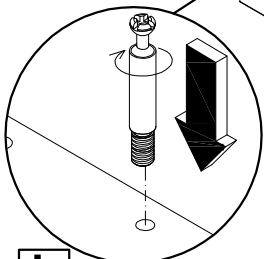
c



a

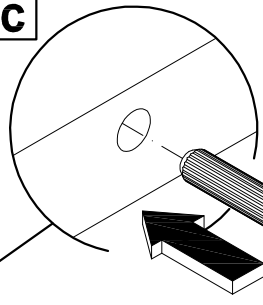


1

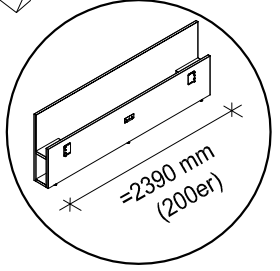
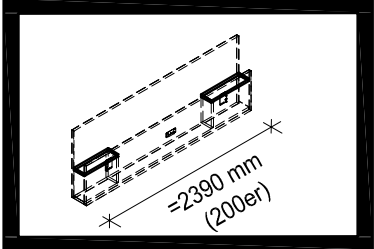
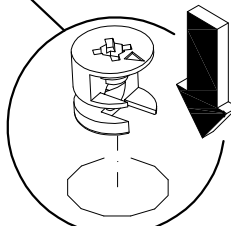


b

c

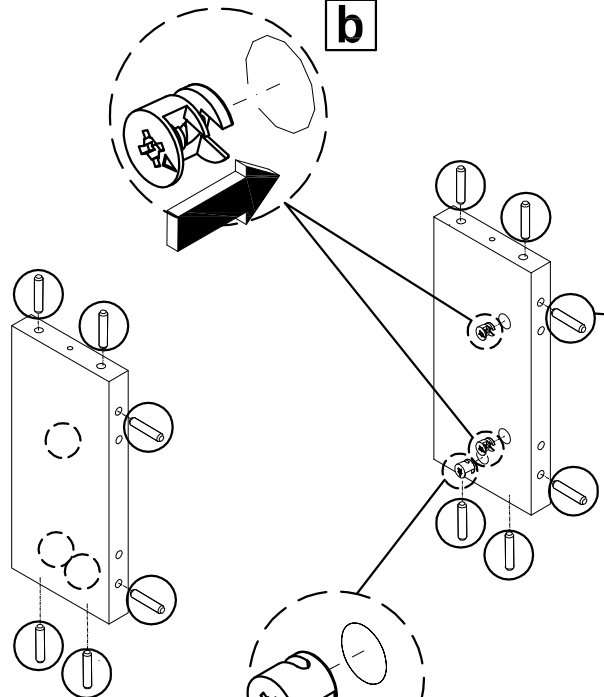


a



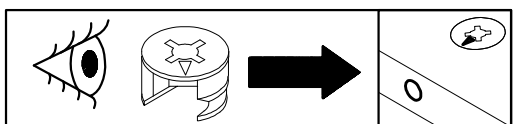
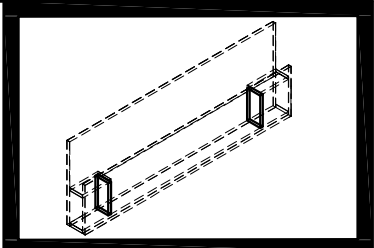
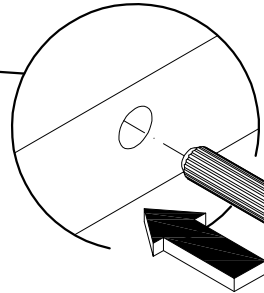
2

b

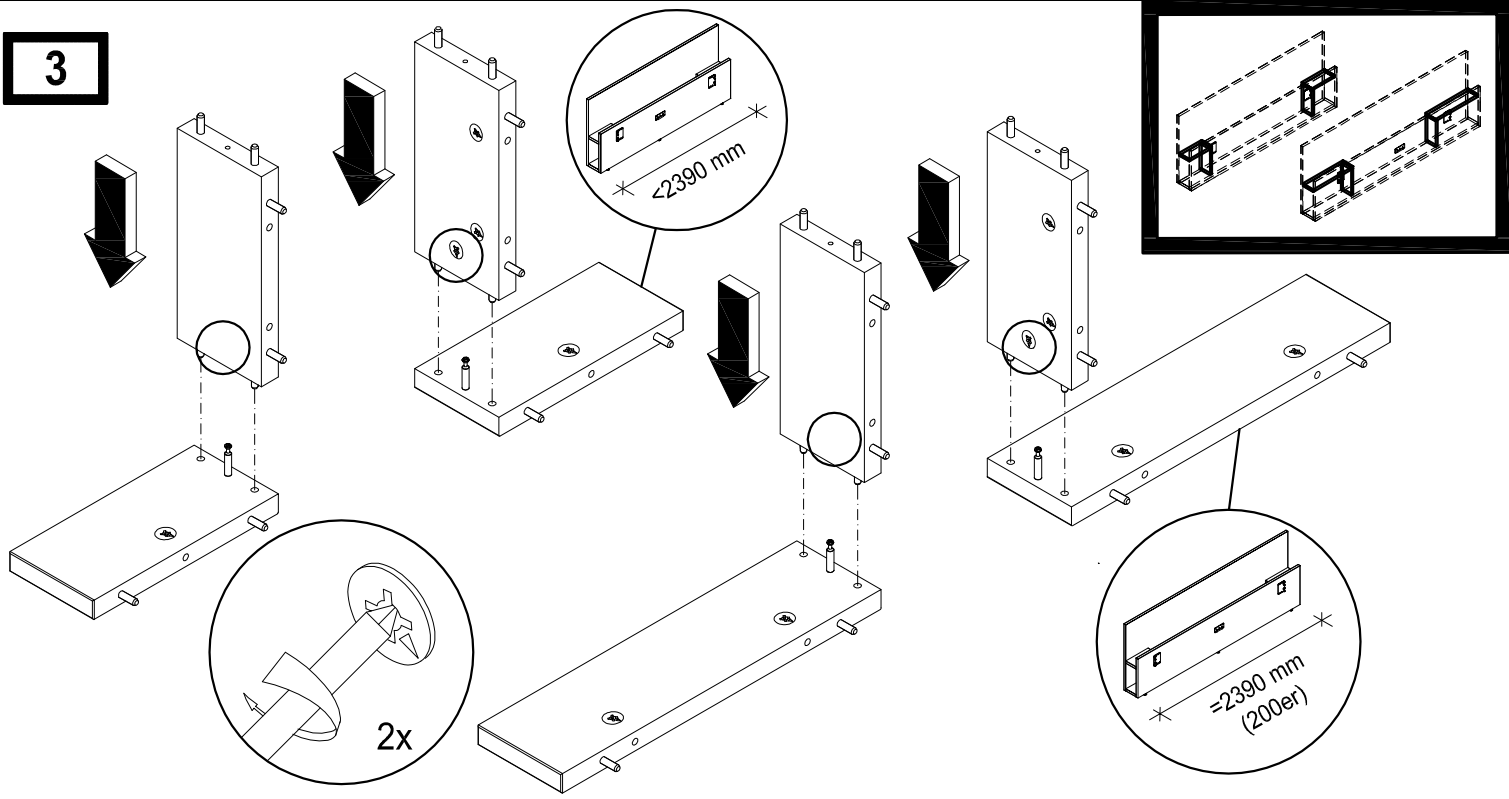


a

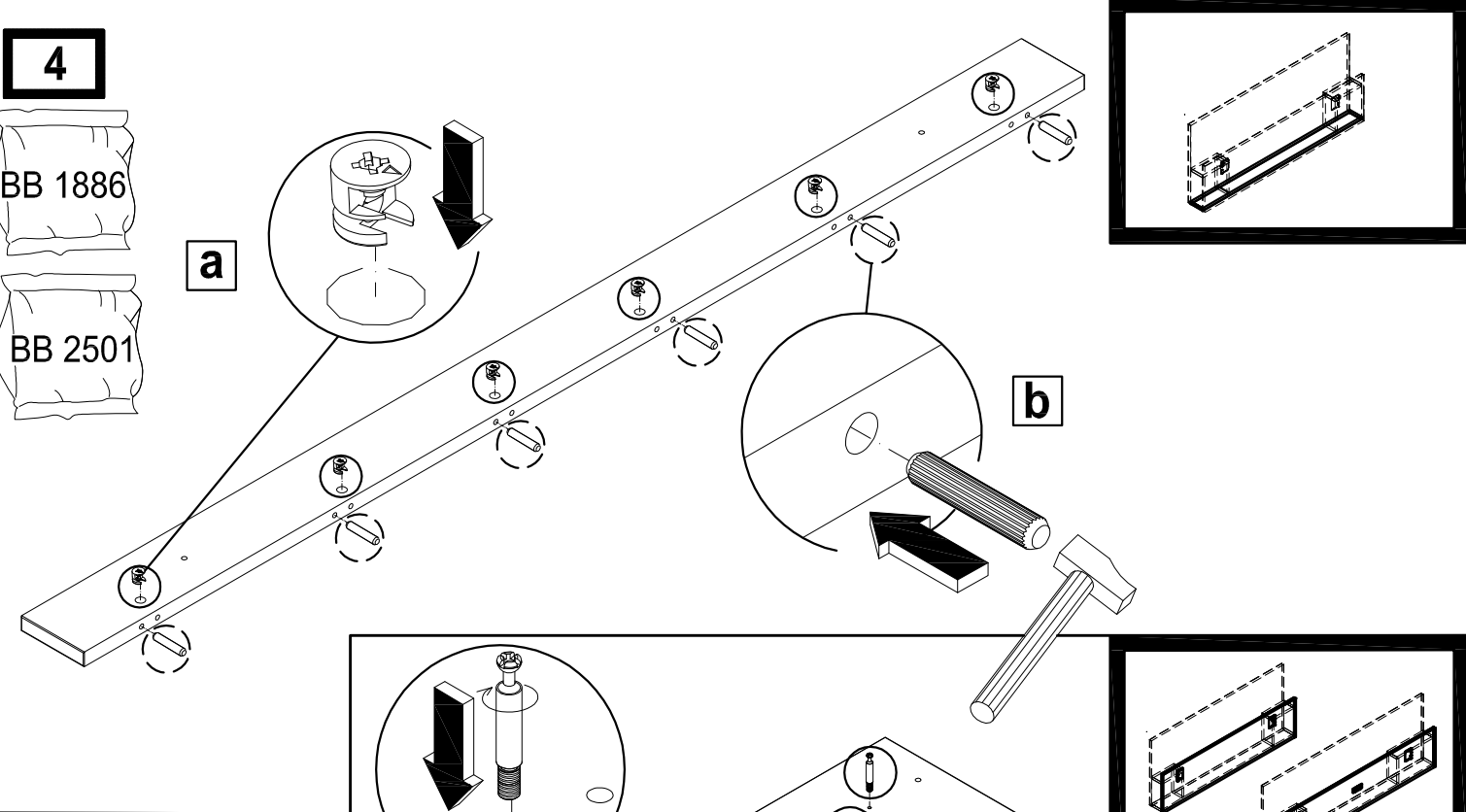
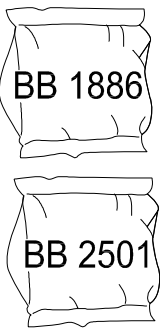
c



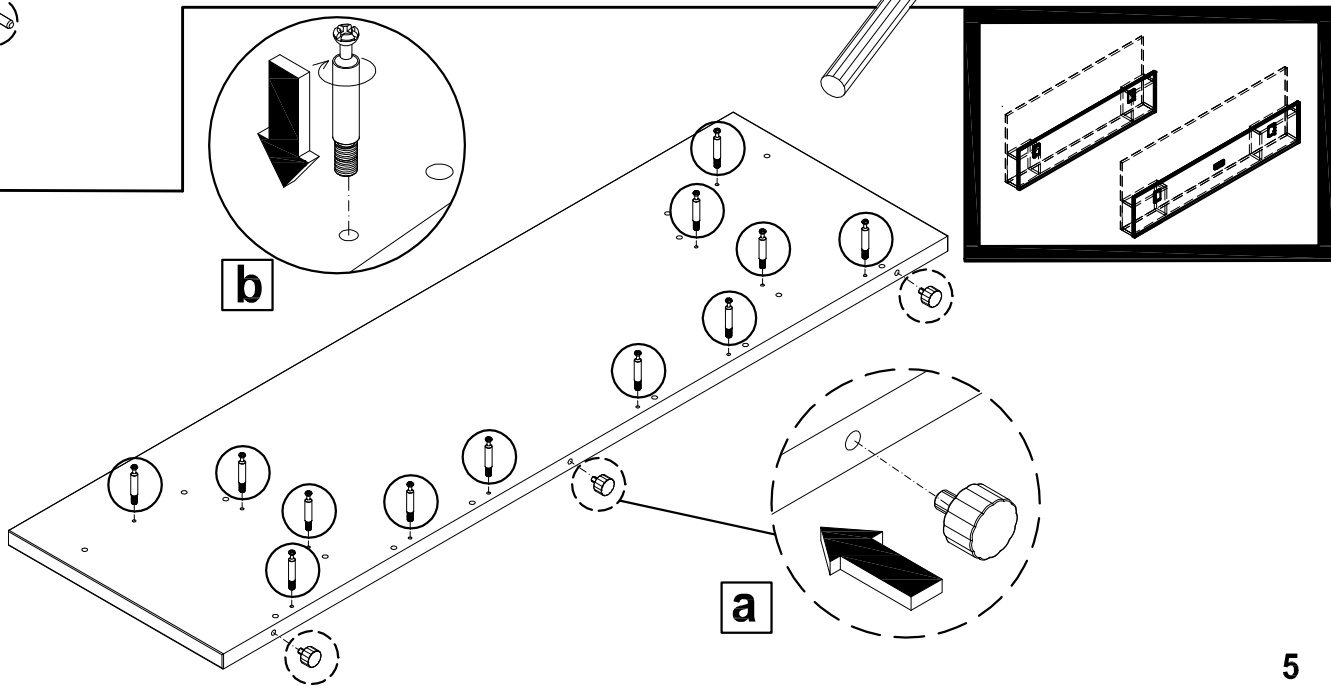
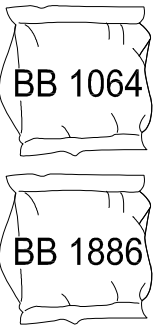
3



4



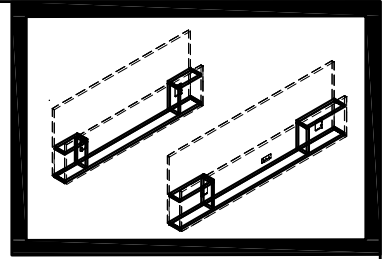
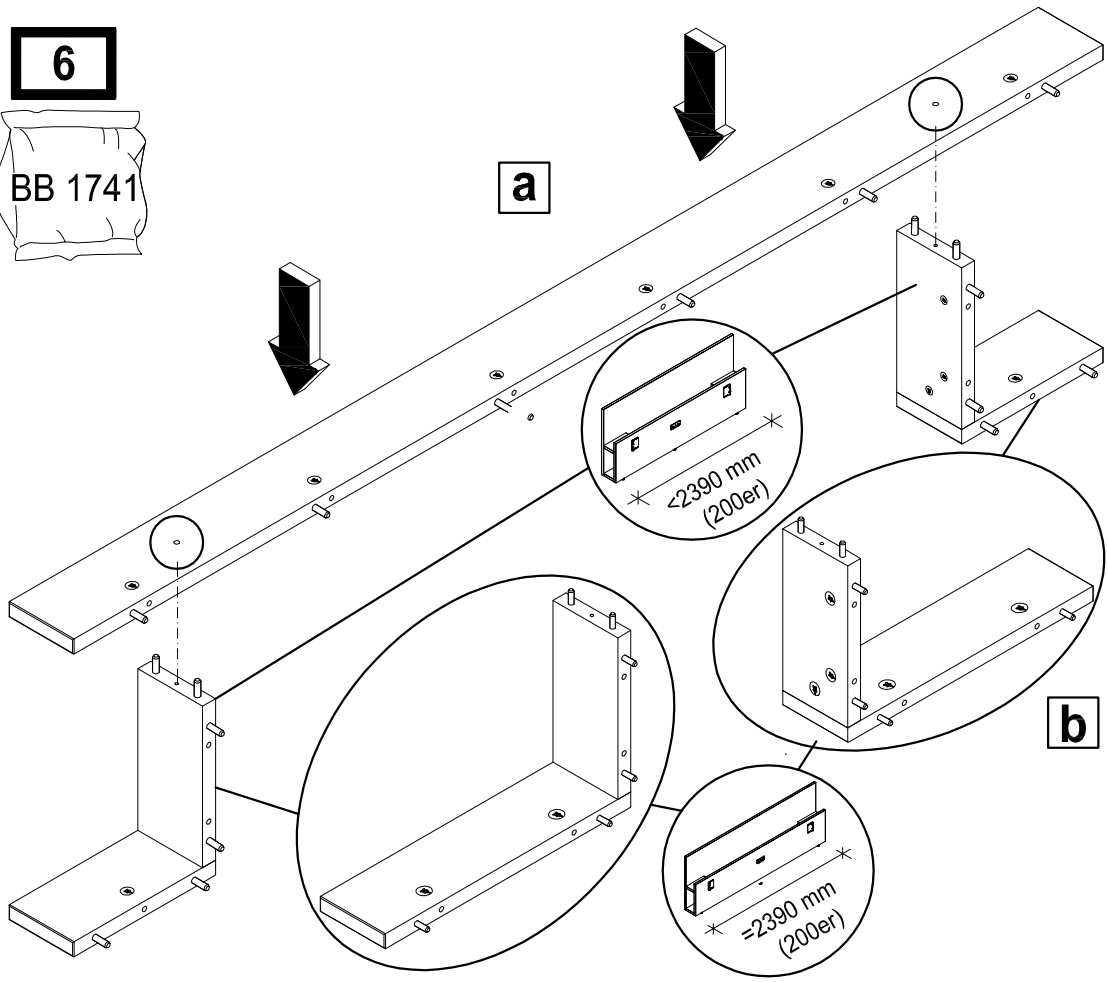
5



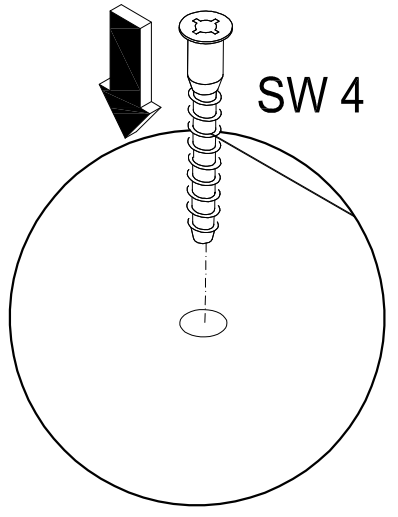
6

BB 1741

a



SW 4



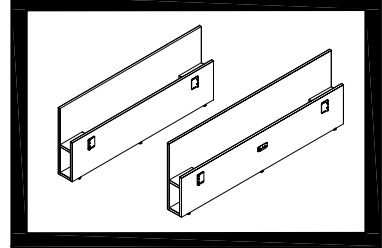
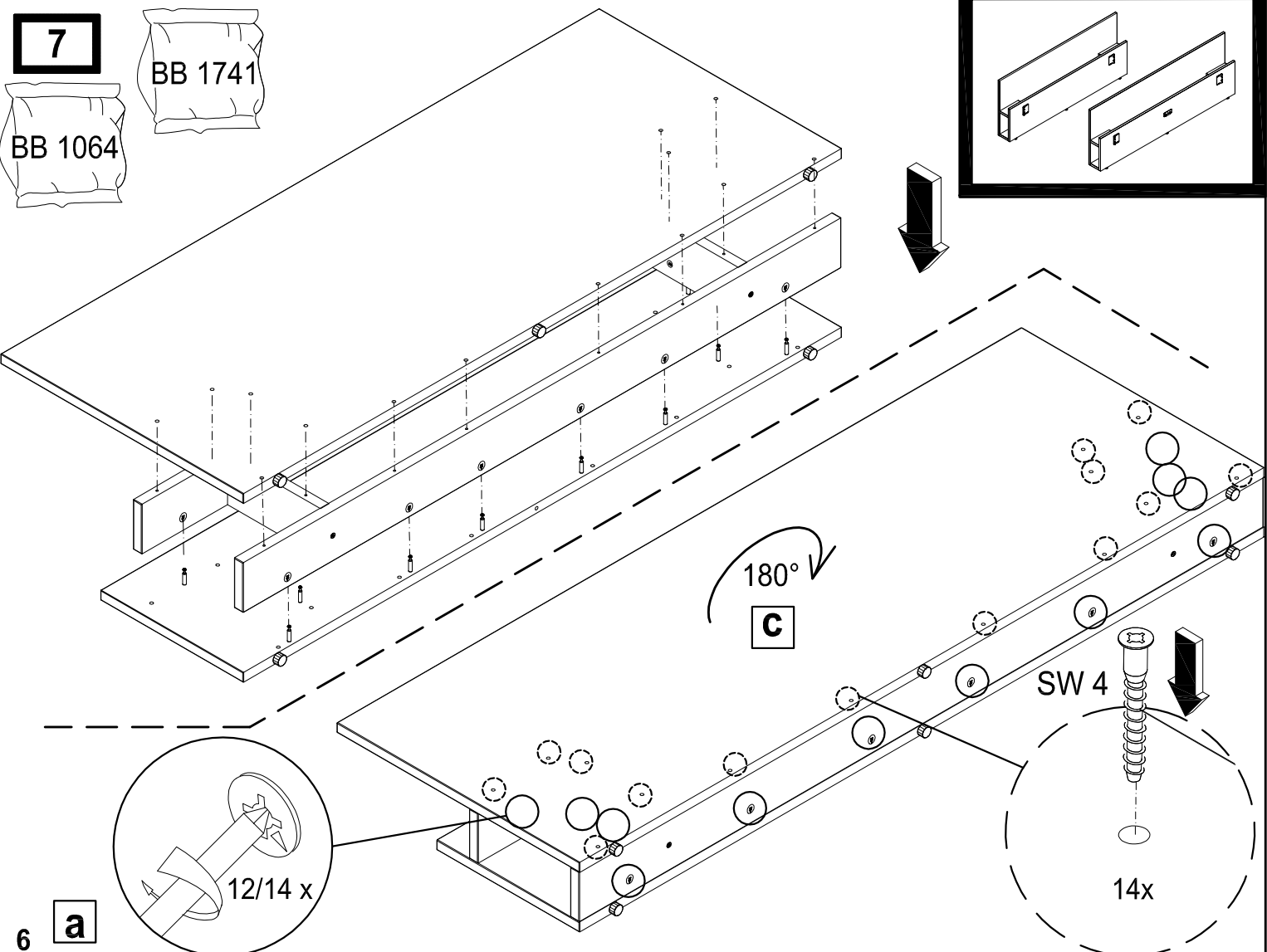
7

BB 1741

BB 1064

180°

c



SW 4

14x

6

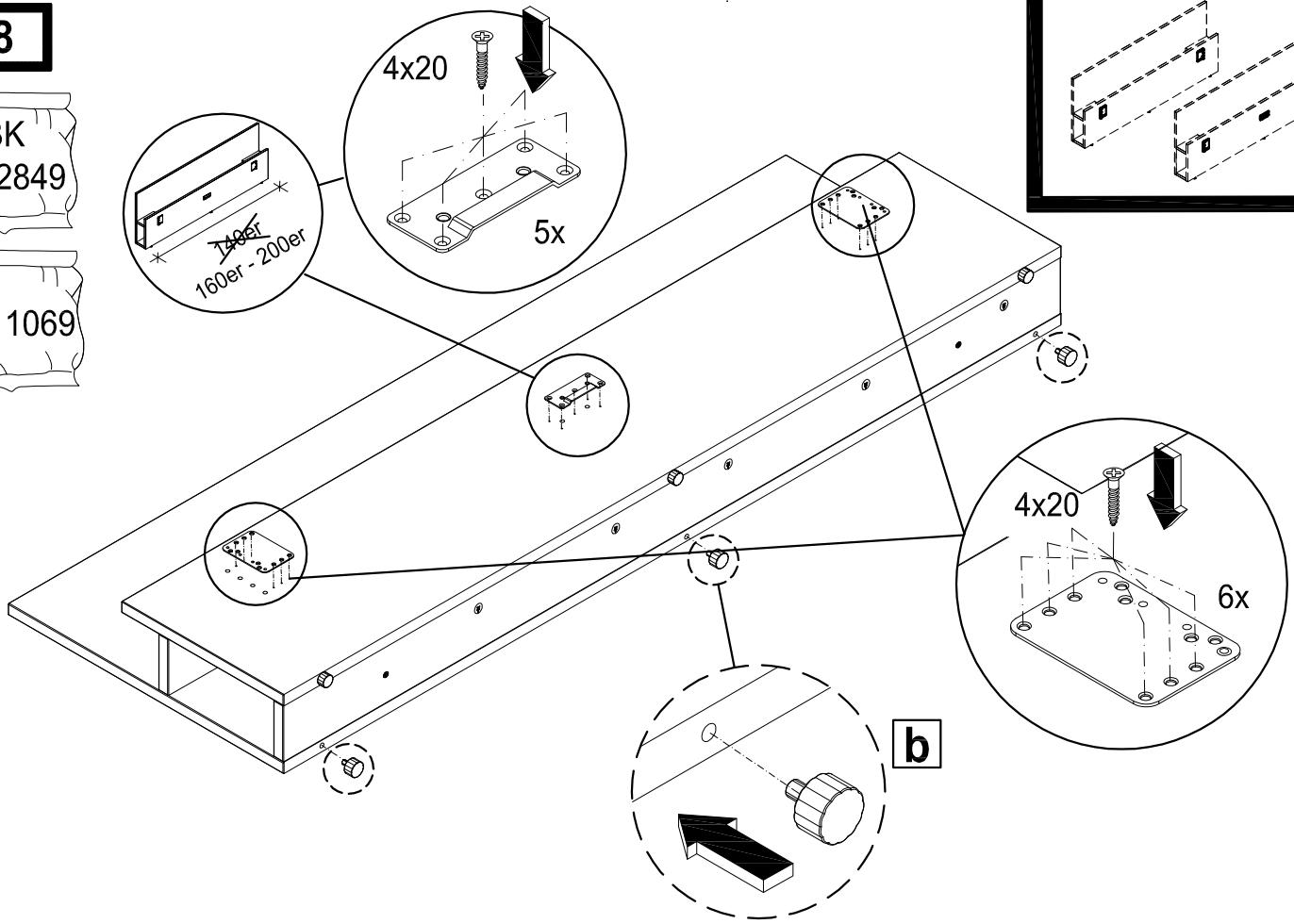
a

12/14 x

8

BK
1772849

BB 1069

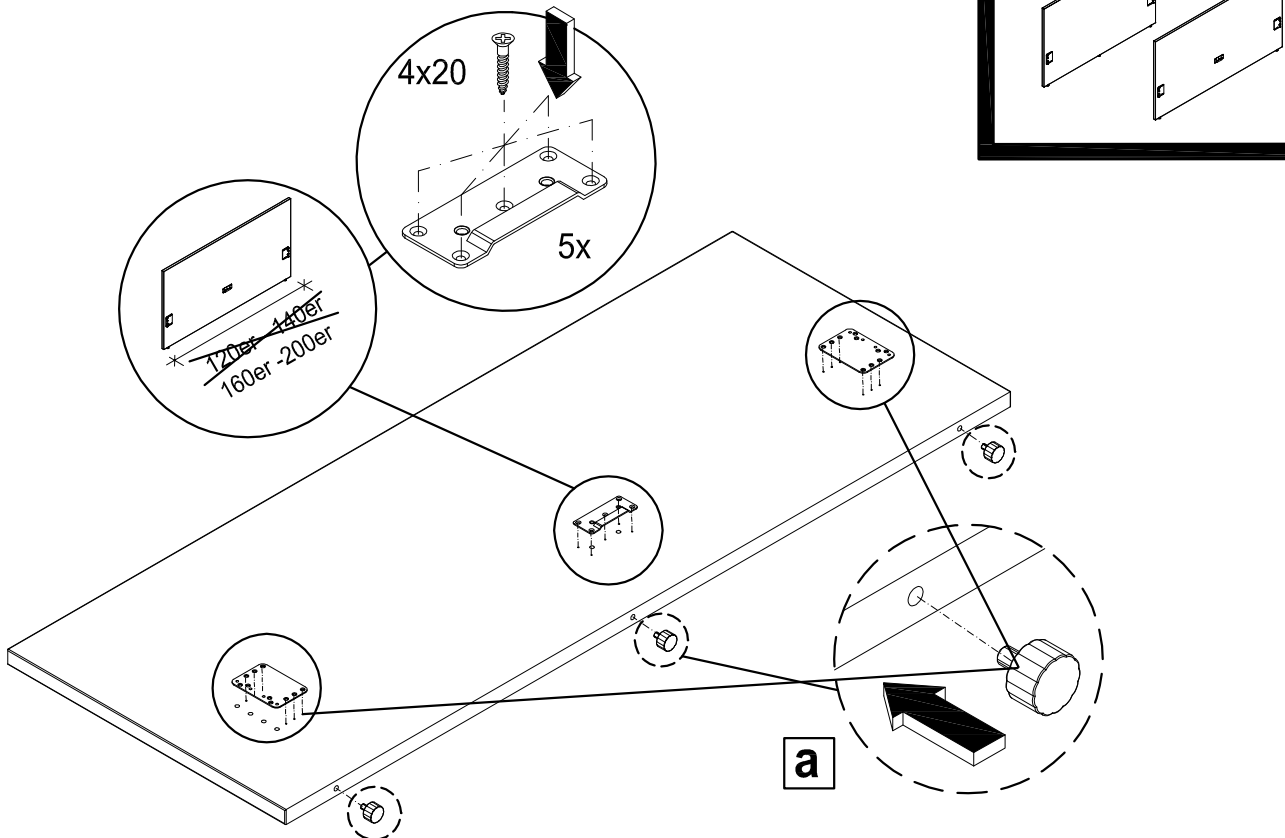


1

BK
1772849

BB 1069

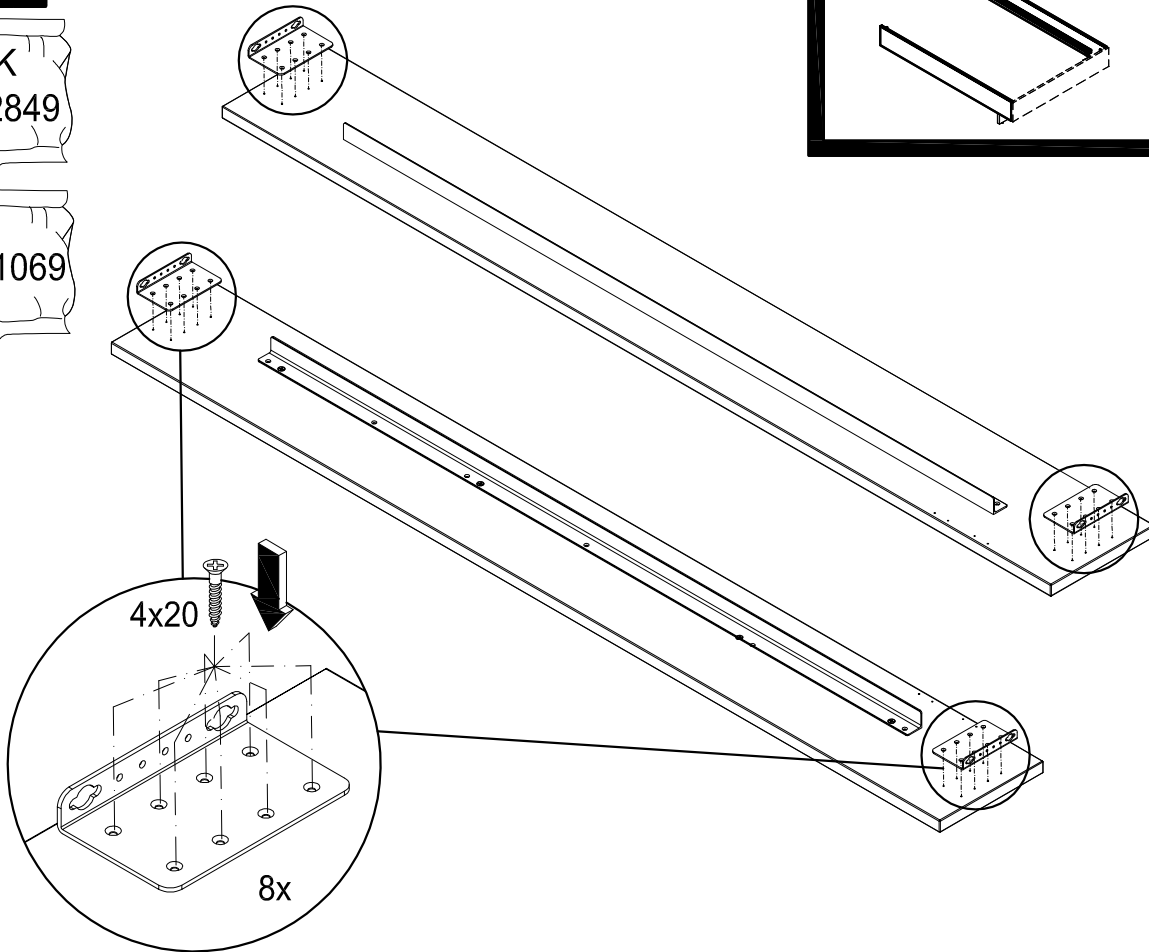
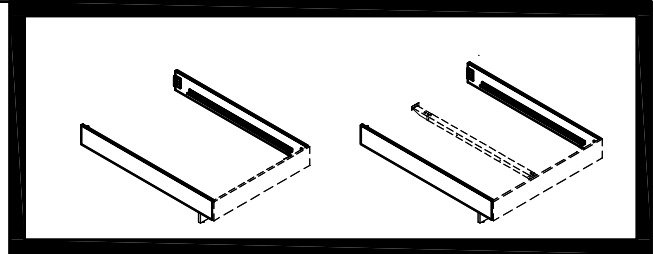
BB 1064



1

BK
1772849

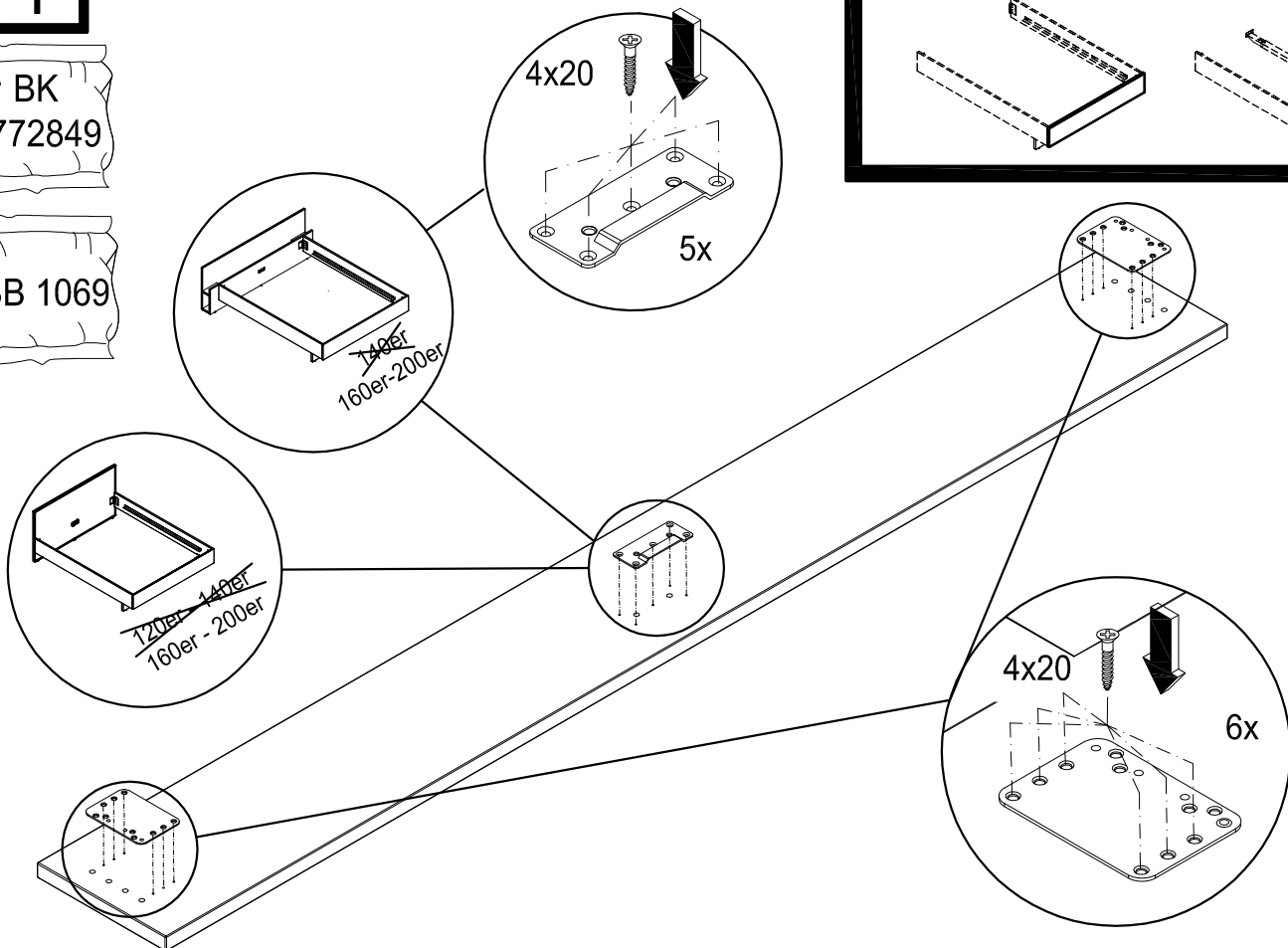
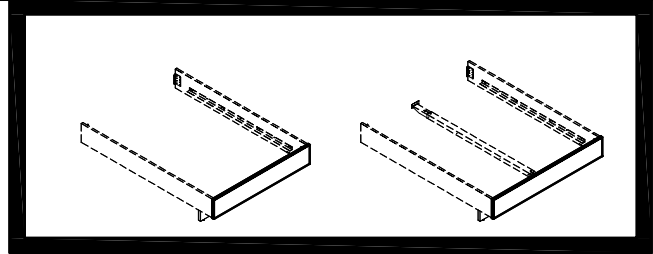
BB 1069



1

BK
1772849

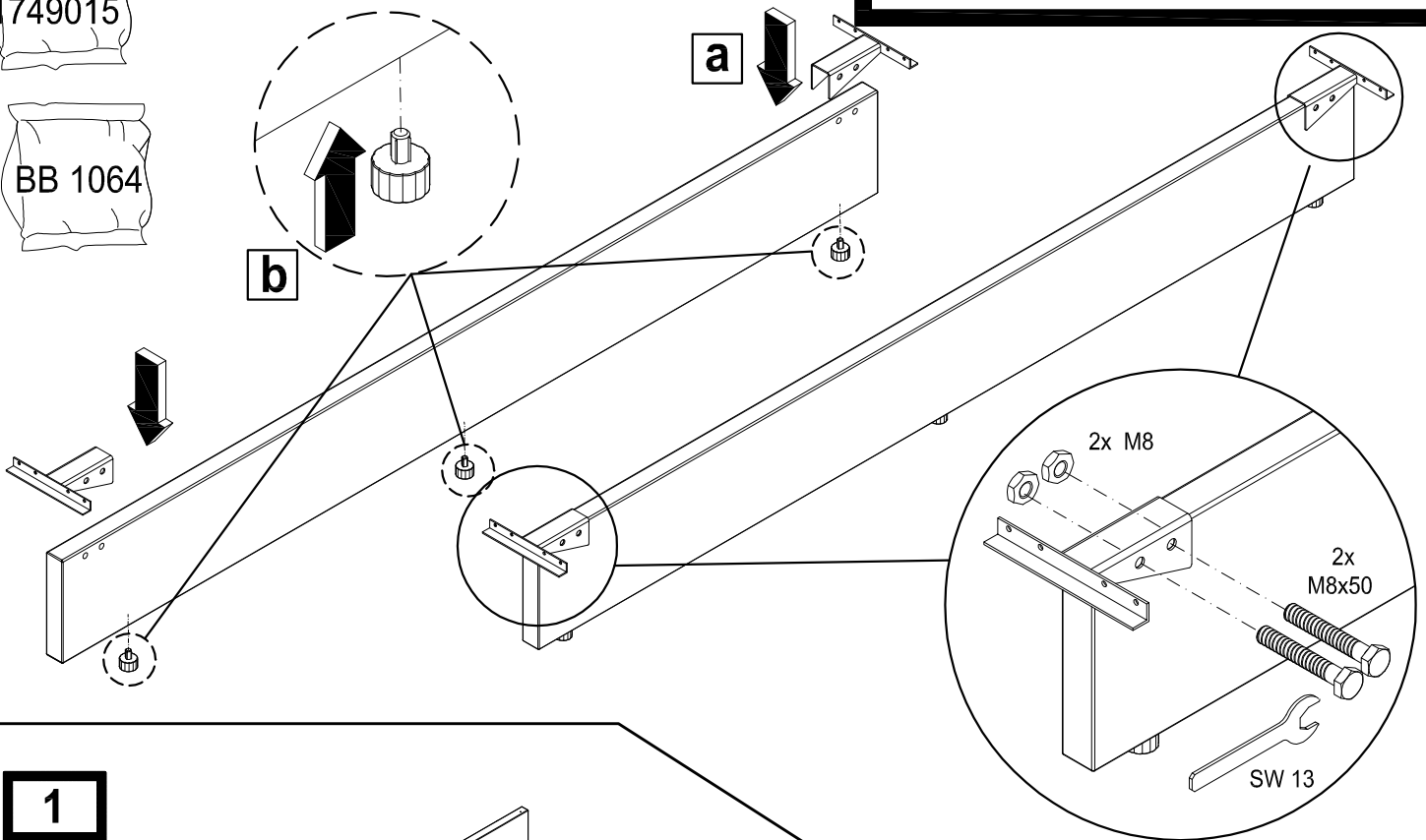
BB 1069



1

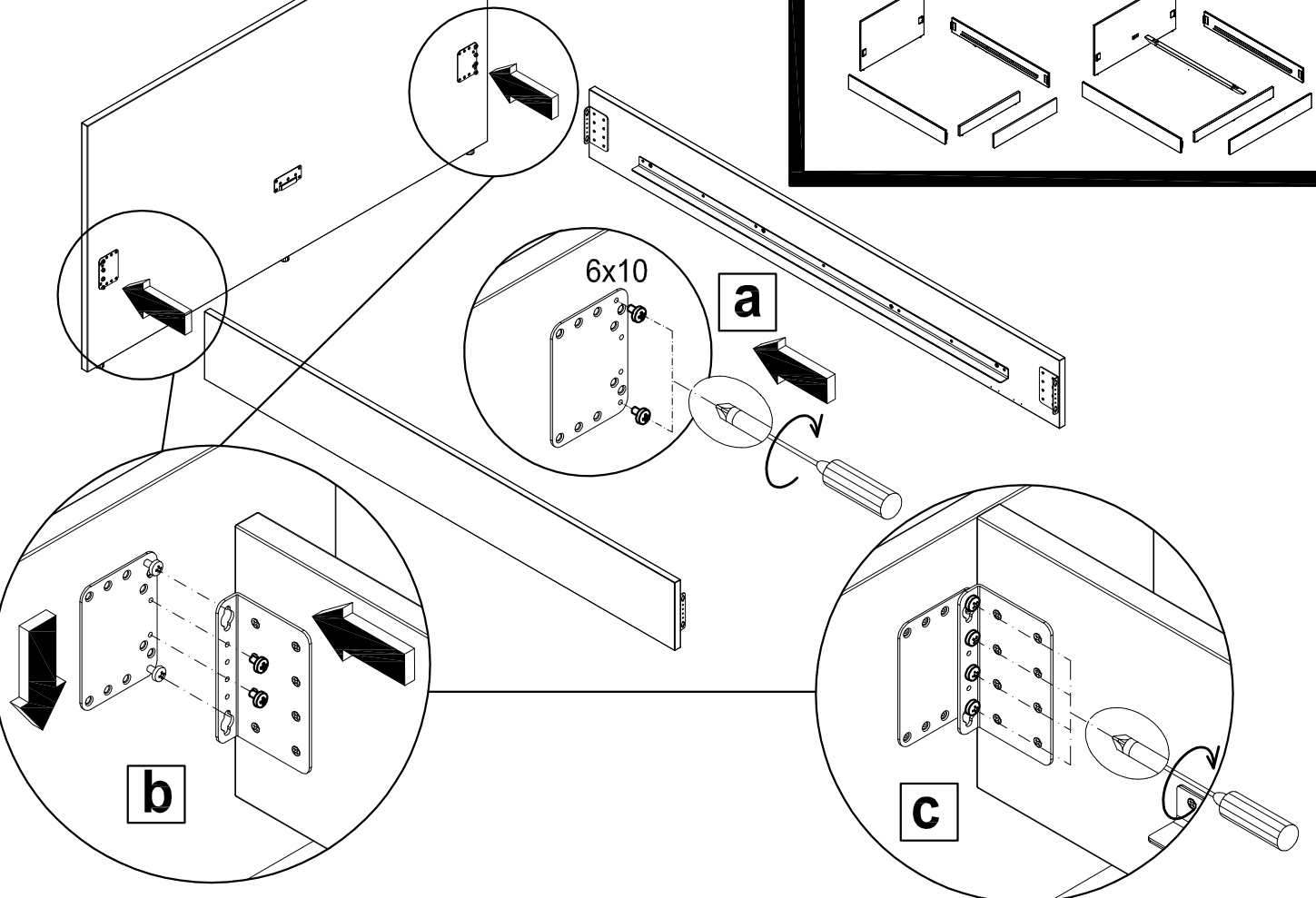
Set
1749015

BB 1064



1

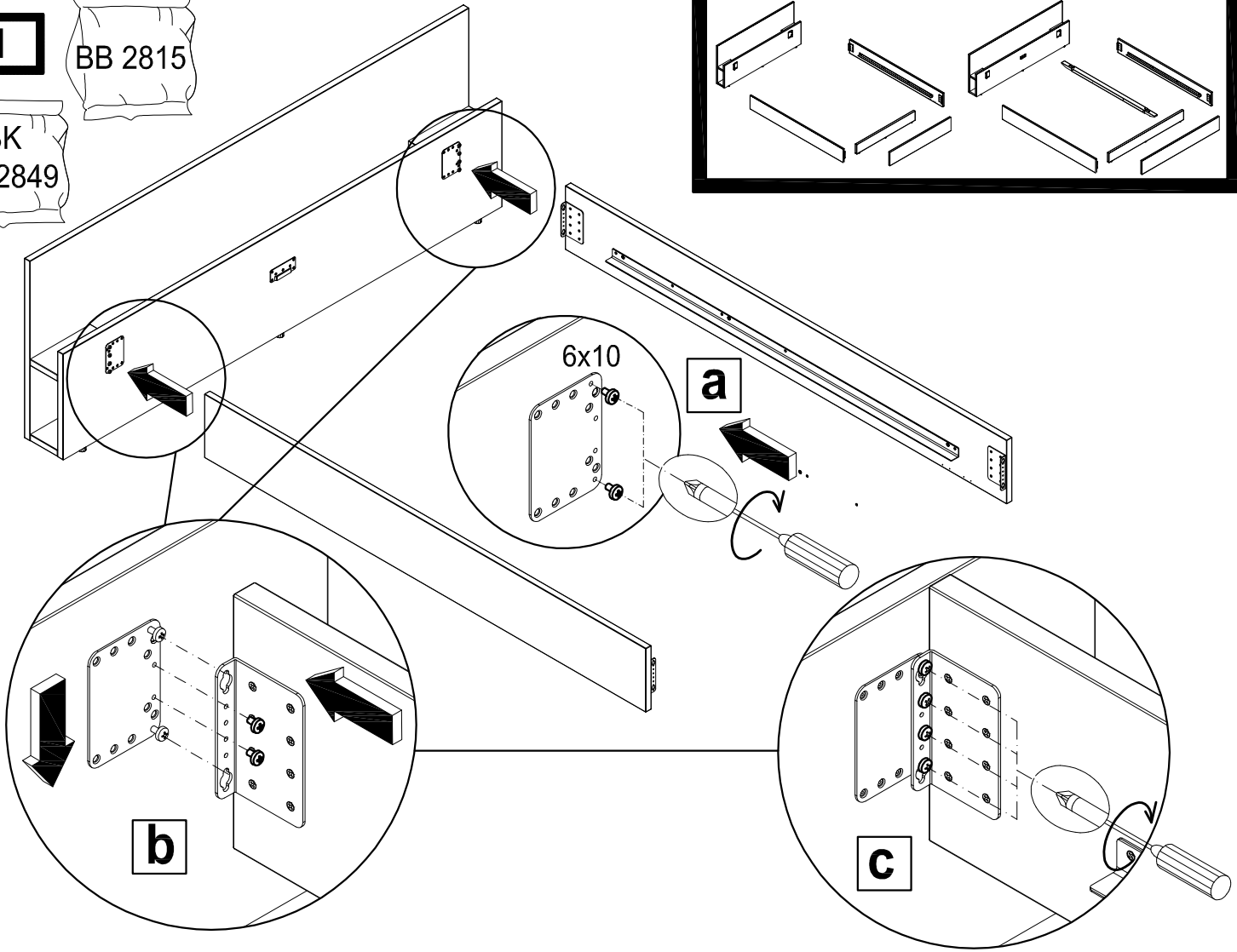
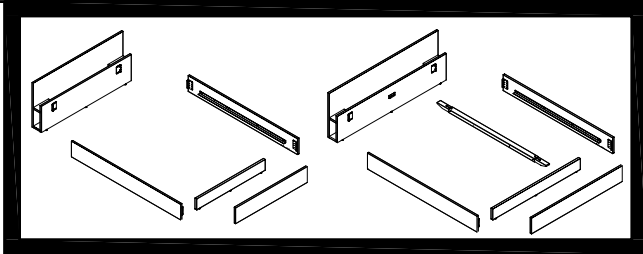
Set
1749015



1

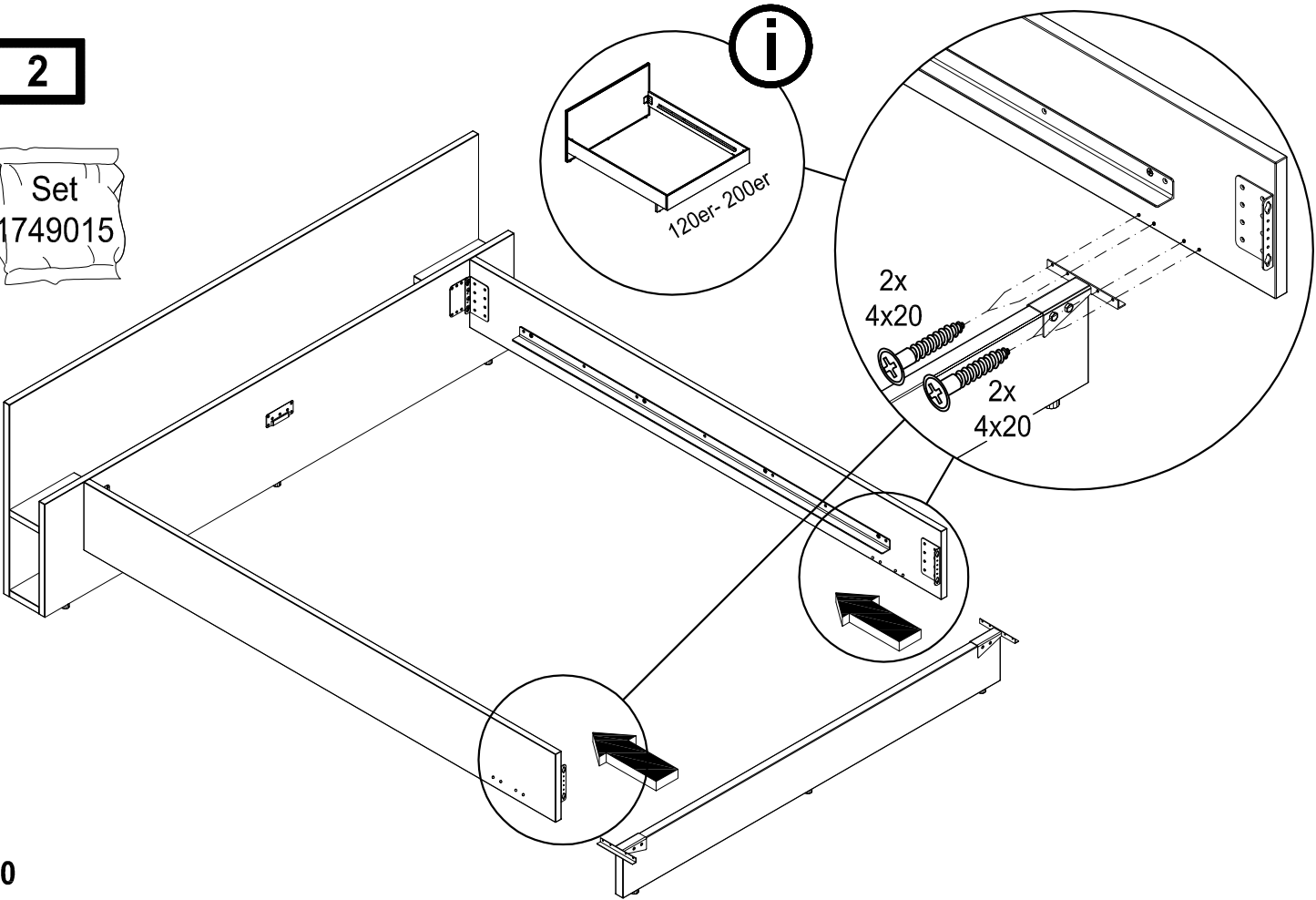
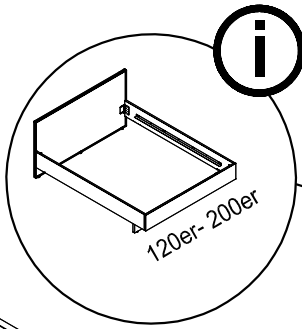
BB 2815

BK
1772849



2

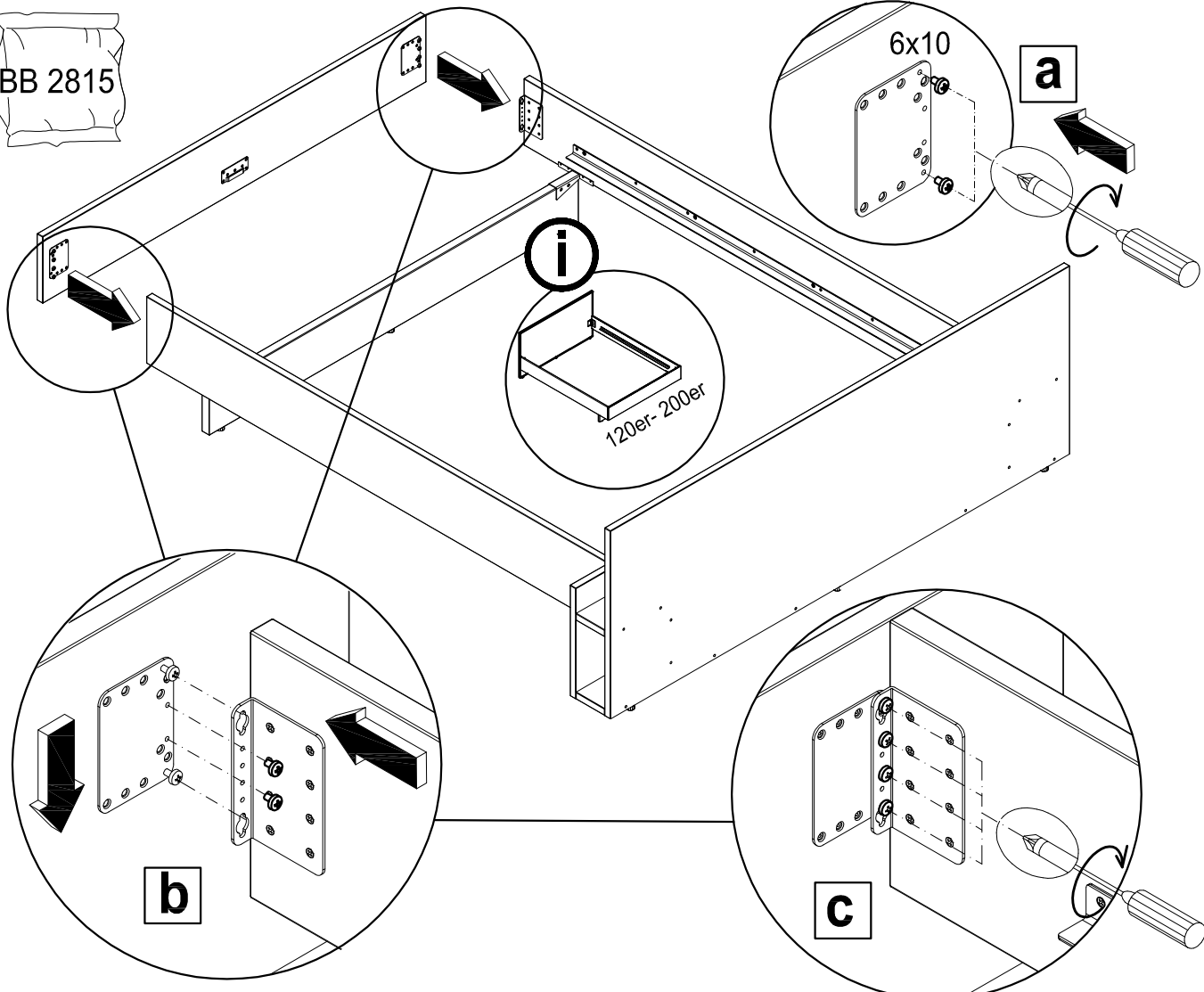
Set
1749015



3

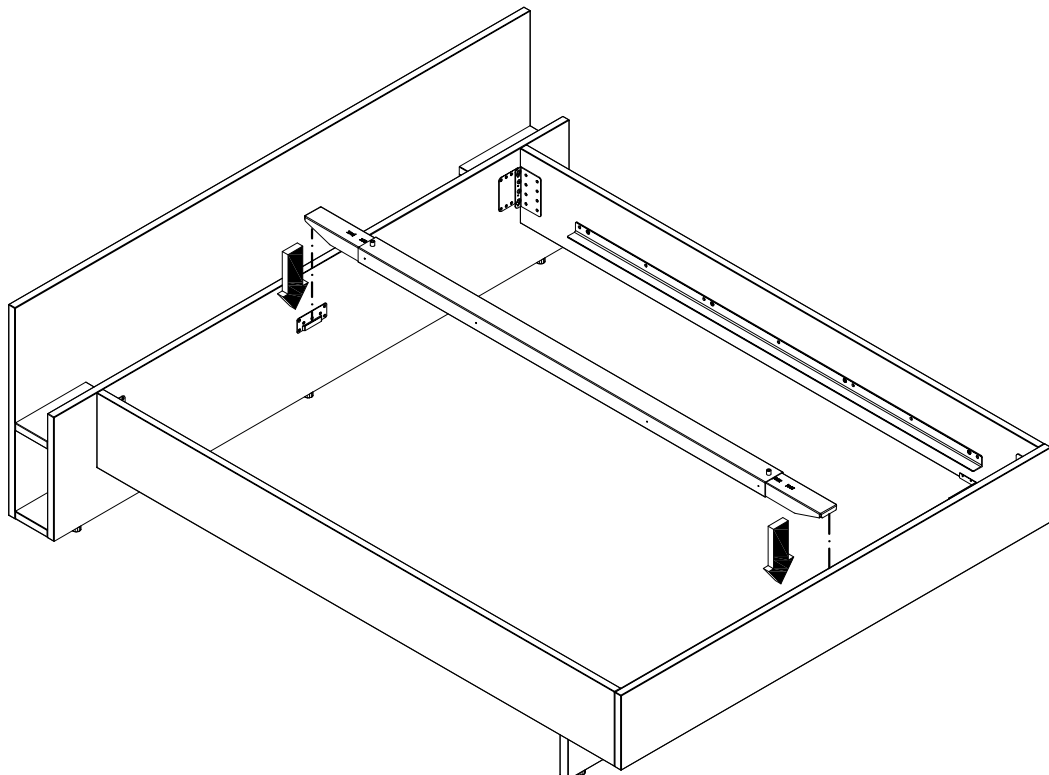
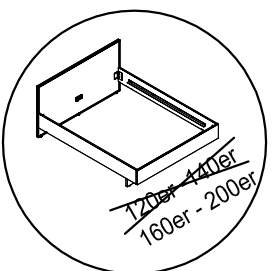
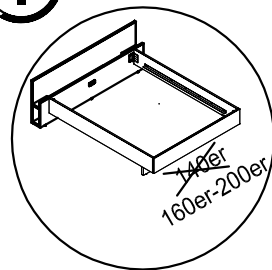
BB 2815

BK
1772849

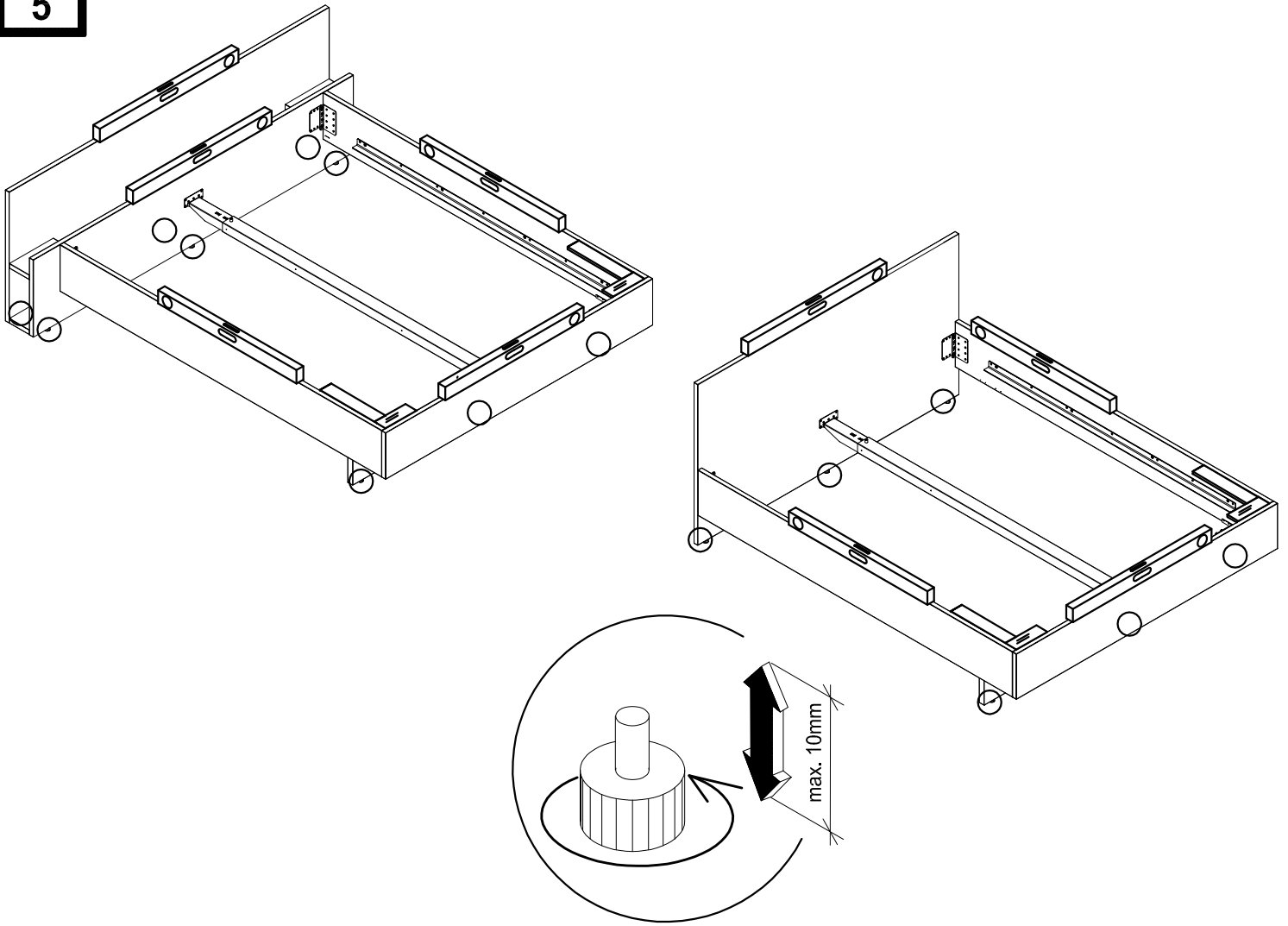


4

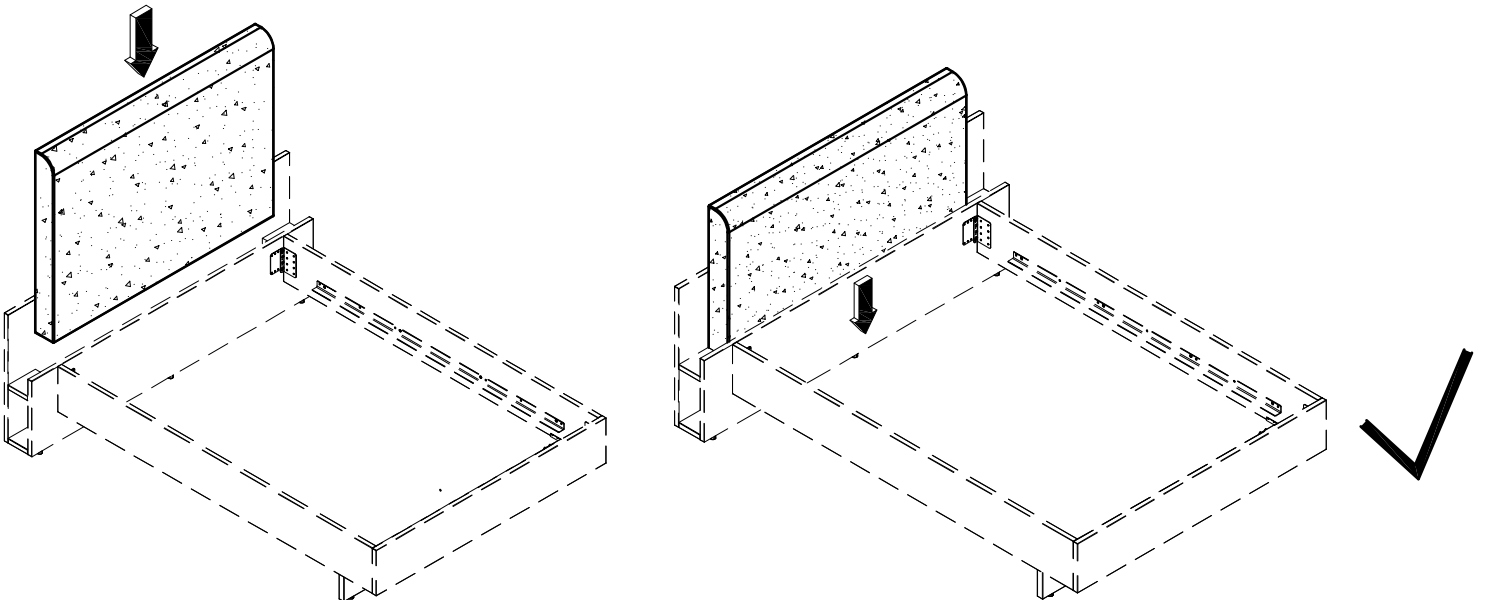
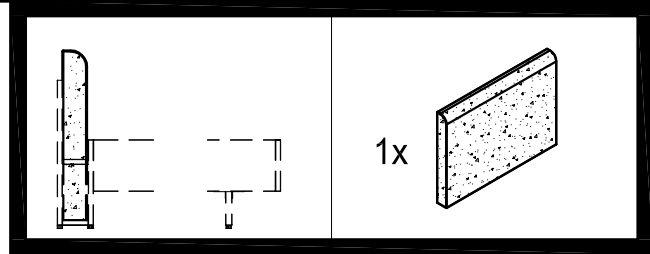
i



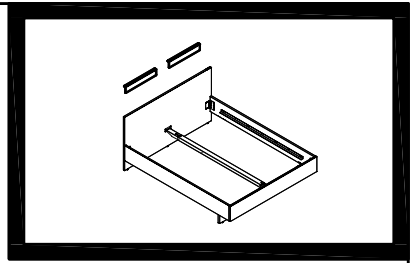
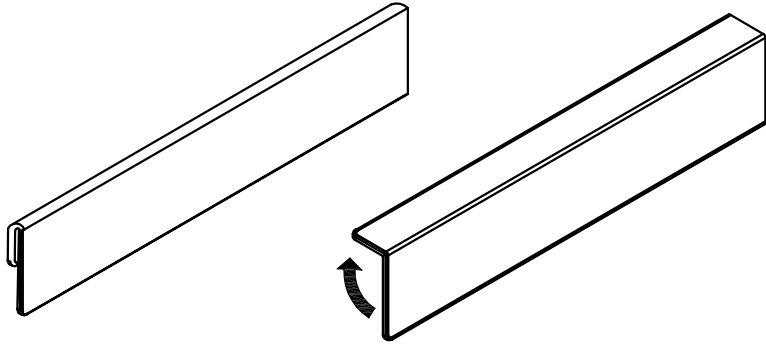
5



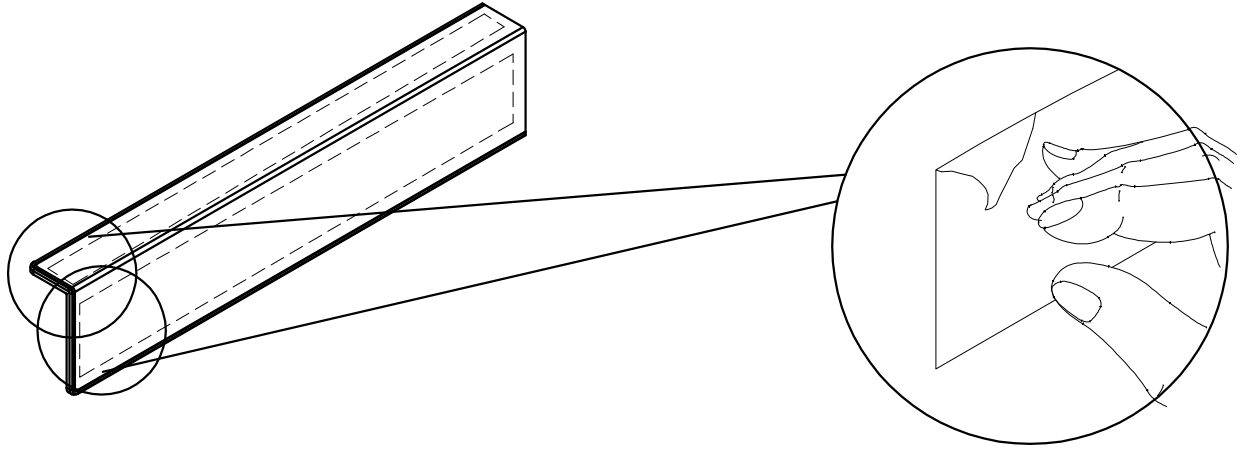
1



1



2



3

