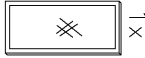
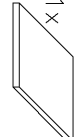

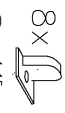


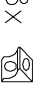

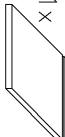


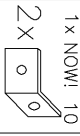
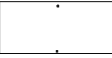

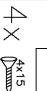

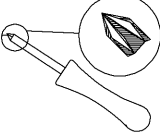
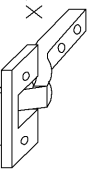
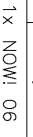

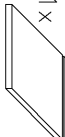

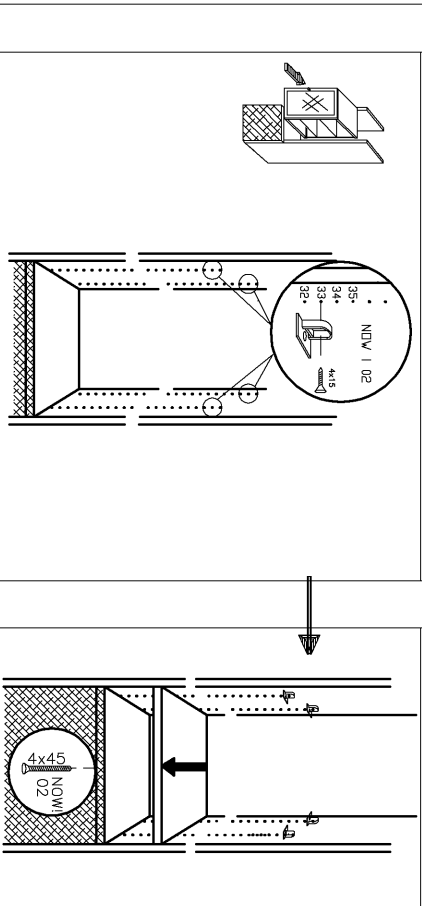
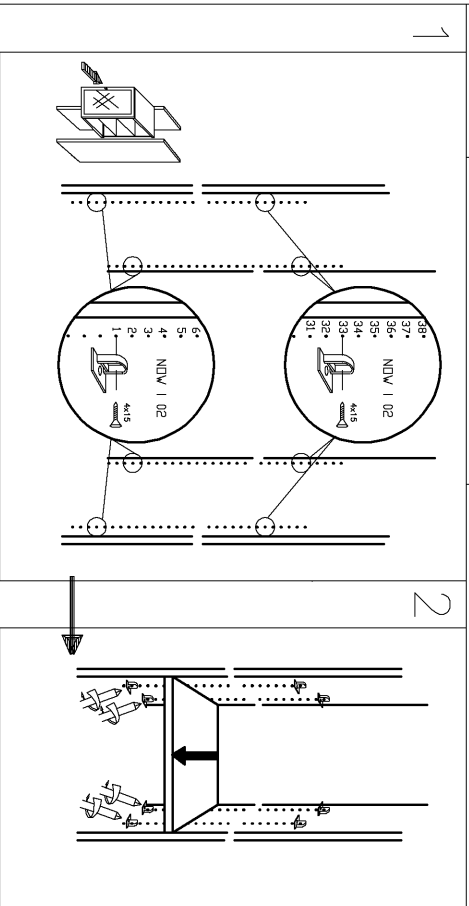
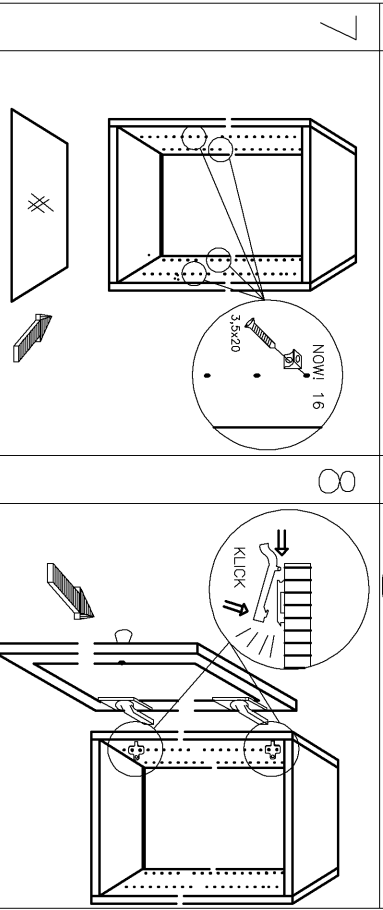
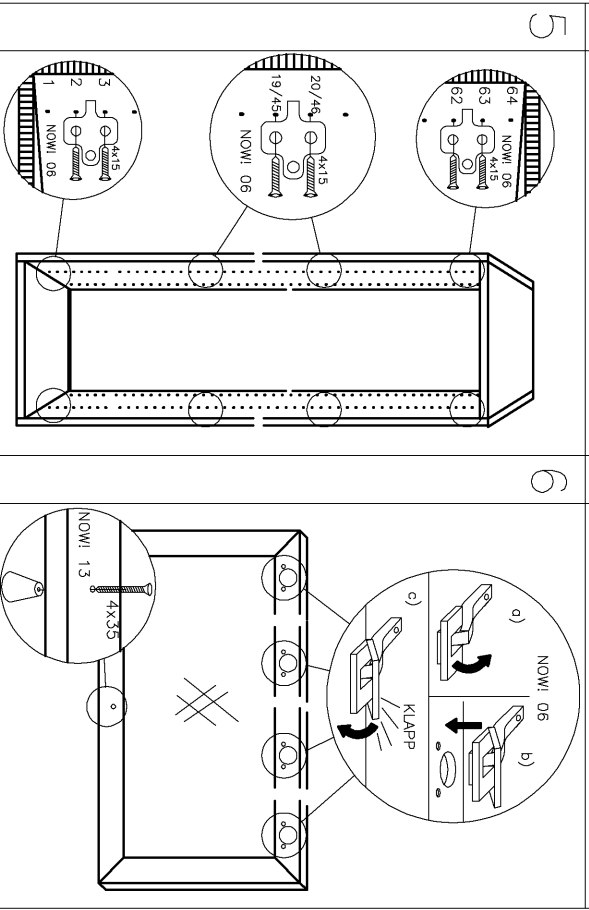
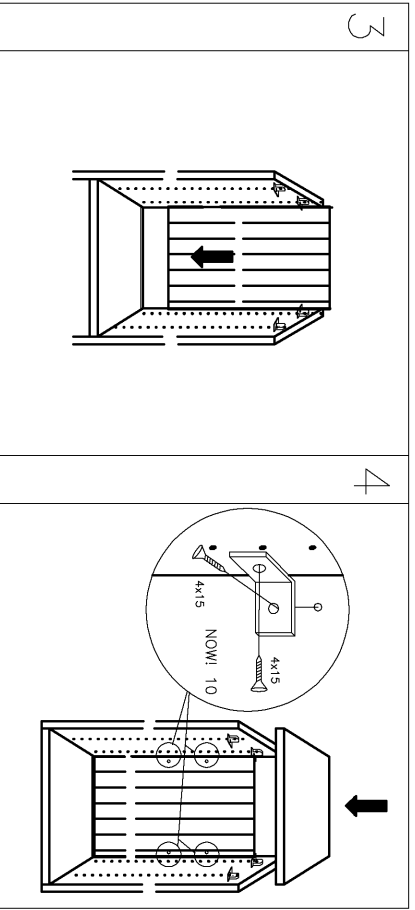
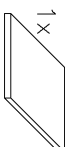
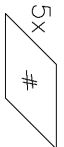
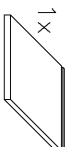
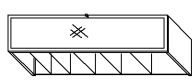
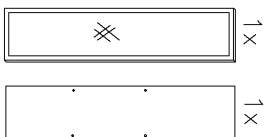
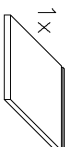
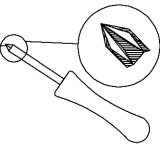





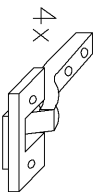
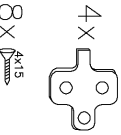




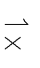
		<p>Inhalt:</p>	
<p>1x</p> 	<p>1x</p> 	<p>1x NOW! 54</p> 	<p>2x NOW! 02</p> 
<p>1x</p> 	<p>2x #</p> 	<p>8x <math>3,9 \times 20</math></p> 	<p>8x <math>\text{AK15}</math></p> 
<p>1x</p> 	<p>1x</p> 	<p>1x NOW! 13</p> 	<p>2x NOW! 10</p> 
<p>1x</p> 	<p>2x</p> 	<p>4x <math>\text{AK15}</math></p> 	<p>2x <math>\text{AK45}</math></p> 
<p>1x</p> 	<p>2x</p> 	<p>1x NOW! 06</p> 	<p>2x <math>\text{AK15}</math></p> 
<p>1x</p> 	<p>4x</p> 		





<p>Inhalt:</p>  1x  5x  1x  *  *  1x 		<p>1x NOW! 16   20x <sup>3,5x20</sup>   20x  1x NOW! 13    2x NOW! 10   4x   8x <sup>4x15</sup>  2x NOW! 06   4x   4x   8x <sup>4x15</sup> </p>		<p>2x NOW! 02   8x   8x <sup>4x15</sup>   2x <sup>4x45</sup>  1x </p>	
--	--	---	--	---	--

